

EUROFLOOD™ METAL HALIDE

DOUBLE-ENDED COMPACT METAL HALIDE LAMPS

USHIO Euroflood™ series of compact Metal Halide lamps use a sodium/scandium iodide chemical mixture which maximizes light output and ensures color stability while at the same time achieving excellent life characteristics and good color rendering.

The compact size provides versatility in fixture selection - from industrial and large areas to more compact display lighting applications. The Euroflood series offers design flexibility where high light density is desired.

Available in - 75W, 150W and 250W with color temperatures ranging from 3000K - 5200K

FEATURES & BENEFITS:

- Window Displays and Showrooms
- Museums and Galleries
- Landscape Lighting
- Lobbies, Hotels, Restaurants
- Athletic Fields, Arenas
- Exhibition Halls
- Floodlighting
- Wall Washing
- Aquariums (5200K)



Euroflood™ Metal Halide lamps are manufactured under ISO 9001 guidelines ensuring quality and security for the purchaser.

USHIO

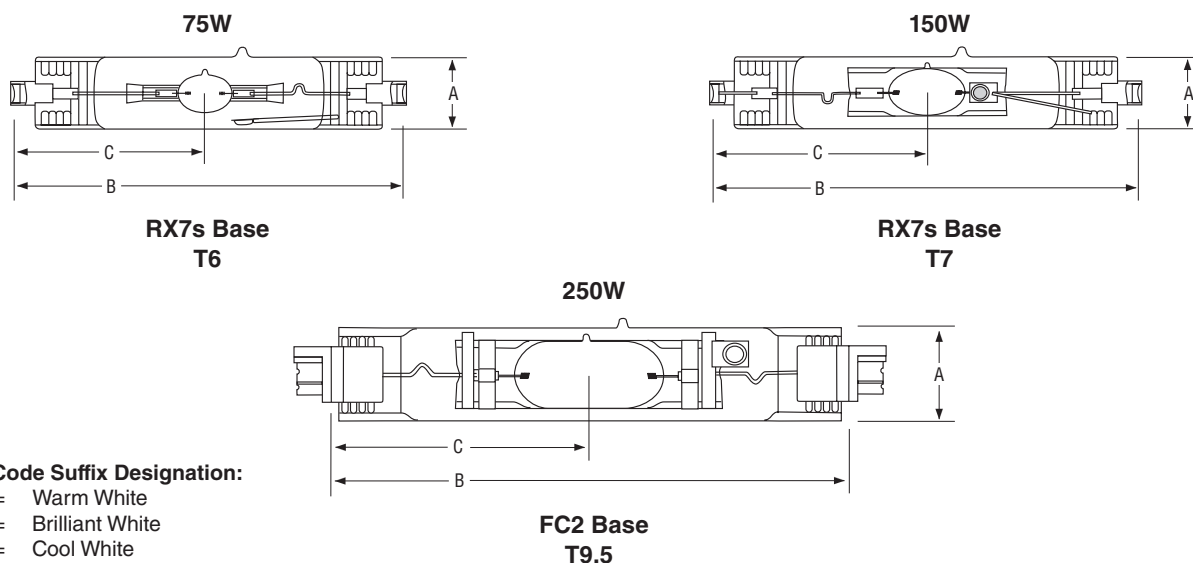


APPLICATIONS:

- Long Life - 10,000 Hours Average Life
- High Color Stability over Entire Life Time
- High Efficacy - 80 lm/W Luminous Output
- Excellent Color Rendering - 80 CRI
- UV Protection - Protects Textiles and Plastics
- Compact Tubular Design

EUROFLOOD™ Metal Halide

Double-Ended Compact Metal Halide Lamps



Lamp Code Suffix Designation:

- DW = Warm White
- DL = Brilliant White
- DM = Cool White
- DD = Daylight
- /UVP = UV-absorbing quartz glass

Watts (W)	Ordering Code	Lamp Description	Volts (V)	Lamp Current (A)	Dimensions			Arc Gap (mm)	Color Temp (K)	Luminous Flux (lm)	ANSI Ballast / Fixture	Case Qty
					Dia (A)	C-to-C (B)	LCL (C)					
EUROFLOOD™ Double-Ended Base – RX7												
75	5000192	UHI-70DM/UVP/T6	95	0.9	0.79	4.50	2.24	8.5	4200	6000	M85/E	10
150	5000184	UHI-150DW/UVP/T7	95	1.8	0.90	5.20	2.60	18.0	3000	12000	M81/E	10
150	5000182	UHI-150DM/UVP/T7	95	1.8	0.90	5.20	2.60	18.0	4200	12000	M81/E	10
150	5000178	UHI-150DD/UVP/T7	95	1.8	0.90	5.20	2.60	18.0	5200	11000	M81/E	10
EUROFLOOD™ Double-Ended Base – FC2												
250	5000188	UHI-250DM/UVP/T9.5	100	3.0	0.98	5.47	2.74	24.0	4200	20000	M80/E	20

/E = Enclosed fixture required

Burn Position: Horizontal ± 45°

Recommended Ignition Voltage: 4kV

Average Life: 10,000 hours

Lamp should be switched off for at least 15 minutes/week

All dimensions shown in inches unless otherwise noted.

(Hg) contains mercury
contient du mercure

Manage in Accord with Disposal Laws
www.lamprecycle.org 1-800-895-8842



R - NON SELF-EXTINGUISHING LAMP

WARNING: This lamp can cause serious skin burn and eye inflammation from shortwave ultraviolet radiation if outer envelope of the lamp is broken or punctured. Do not use where people will remain for more than a few minutes unless adequate shielding or other safety precautions are used. Lamps that will automatically extinguish when the outer envelope is broken or punctured are commercially available. Complies with the USA Federal Standard 21 CFR 1040.30 and Canada Standard SOR/80-381.