



High output LED yardblaster delivers enough light to hit the broad side of a barn. Durable finish withstands harsh environments.

Color: Silver gray

Weight: 12.8 lbs

<b>Project:</b>	<b>Type:</b>
<b>Prepared By:</b>	<b>Date:</b>

Driver Info		LED Info	
Type:	Constant Current	Watts:	60W
120V:	0.52A	Color Temp:	3000K
208V:	0.30A	Color Accuracy:	72 CRI
240V:	0.26A	L70 Lifespan:	100000
277V:	0.22A	Lumens:	7340
Input Watts:	56W	Efficacy:	132 LPW
Efficiency:	N/A		

**Technical Specifications**

**Listings**

**UL Listing:**

Suitable for dry and wet locations

**IESNA LM-79 & LM-80 Testing:**

RAB LED luminaires have been tested by an independent laboratory in accordance with IESNA LM-79 and LM-80, and have received the Department of Energy "Lighting Facts" label

**Electrical**

**Driver:**

Constant Current, Class 2, 120V-277V, 50/60 Hz, 950mA, 120V: 0.6A, 208V: 0.321A, 240V: 0.278A, 277V: 0.223

**Dimming Driver:**

Driver includes dimming control wiring for 0-10V dimming systems. Requires separate 0-10V DC dimming circuit. Dims as low as 10%.

**THD:**

9.3% at 120V, 8.5% at 277V

**Power Factor:**

99.5% at 120V, 90% at 277V

**Surge Protection:**

4 kV Line-Line, 6 kV Line-Earth

**LED Characteristics**

**LEDs:**

Long-life, high-efficiency, surface mount LEDs

**Lifespan:**

100,000-hour LED lifespan based on IES LM-80 results and TM-21 calculations

**Color Stability:**

LED color temperature is warranted to shift no more than 200K in CCT over a 5 year period

**Color Uniformity:**

RAB's range of CCT (Correlated Color Temperature) follows the guidelines of the American National Standard for Specifications for the Chromaticity of Solid State Lighting (SSL) Products, ANSI C78.377-2017.

**Construction**

**IP Rating:**

Ingress Protection rating of IP66 for dust and water

**IES Classification:**

The Type V distribution produces light in a wide and uniform 360° pattern that is perfect for large outdoor areas such as parking lots, corporate parks and retail settings

**Cold Weather Starting:**

Minimum starting temperature is -40°C (-40°F)

**Housing:**

Precision die-cast aluminum housing and arm

**Mounting:**

Mounts on pole

**Reflector:**

High-reflectance white paint

**Lens:**

Flat polycarbonate lens

**Gaskets:**

High-temperature silicone

**Finish:**

Formulated for high-durability and long lasting color

**Green Technology:**

Mercury and UV-free. RoHS compliant components. Polyester powder coat finish formulated without the use of VOCs or toxic heavy metals.

**Optical**

**BUG Rating:**

B2 U3 G2

**Other**

**Patents:**

The design of YBLED26 is protected by patents pending in US, Canada, China, Taiwan and Mexico

**Photocell:**

120-277V Button Photocell Included. Photocell is compatible with 120V-277V.

**Replacement:**

Replaces up to 250W Metal Halide and up to 150W High Pressure Sodium

**Warranty:**

RAB warrants that our LED products will be free from defects in materials and workmanship for a period of five (5) years from the date of delivery to the end user, including coverage of light output, color stability, driver performance and fixture finish.

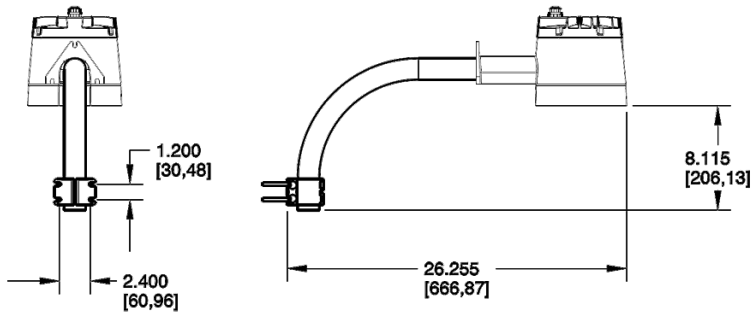
## Technical Specifications (continued)

### Other

#### Buy American Act Compliance:

RAB values USA manufacturing! Upon request, RAB may be able to manufacture this product to be compliant with the Buy American Act (BAA). Please contact customer service to request a quote for the product to be made BAA compliant.

### Dimensions



### Features

- Widespread light distribution illuminates large areas
- Vandal-resistant
- High-impact polycarbonate lens
- Rugged die-cast aluminum housing withstands harsh environments
- 100,000-hour LED lifespan

### Ordering Matrix

Family	Wattage	Color Temp	Mounting	Dimming	Control Options
YBLED	60	Y	/ARM		/PCU
	60 = 60W 40 = 40W	Blank = 5000K (Cool) N = 4000K (Neutral) Y = 3000K (Warm)	Blank = Wall /ARM = Arm	Blank = No Dimming /D10 = 0-10V Dimming (Available with options /5PR or /LC only)	/PCU = PCU (Standard) /PCT = 120-277V Twistlock Photocell /5PR = 5-Pin Receptacle /LC = Lightcloud® Controller