



High output LED yardblaster delivers enough light to hit the broad side of a barn. Durable finish withstands harsh environments.

Color: Silver gray

Weight: 12.8 lbs

**Project:**

**Type:**

**Prepared By:**

**Date:**

### Driver Info

Type:	Constant Current
120V:	0.4A
208V:	0.217A
240V:	0.188A
277V:	0.17A
Input Watts:	43W
Efficiency:	94%

### LED Info

Watts:	40W
Color Temp:	3000K
Color Accuracy:	70 CRI
L70 Lifespan:	100000
Lumens:	5401
Efficacy:	127 LPW

## Technical Specifications

### Listings

#### UL Listing:

Suitable for dry and wet locations

#### DLC Listed:

This product is listed by Design Lights Consortium (DLC) as an ultra-efficient premium product that qualifies for the highest tier of rebates from DLC Member Utilities.

DLC Product Code: POG6Q0B5

#### IESNA LM-79 & LM-80 Testing:

RAB LED luminaires have been tested by an independent laboratory in accordance with IESNA LM-79 and LM-80, and have received the Department of Energy "Lighting Facts" label

### Electrical

#### Driver:

Constant Current, Class 2, 120V-277V, 50/60 Hz, 1100mA, 120V: 0.4A, 208V: 0.217A, 240V: 0.188A, 277V: 0.17A

#### Dimming Driver:

Driver includes dimming control wiring for 0-10V dimming systems. Requires separate 0-10V DC dimming circuit. Dims as low as 10%.

#### THD:

6.3% at 120V, 8.6% at 277V

#### Power Factor:

99.7% at 120V, 89.3% at 277V

#### Surge Protection:

4 kV Line-Line, 6 kV Line-Earth

### LED Characteristics

#### LEDs:

Long-life, high-efficiency, surface mount LEDs

#### Lifespan:

100,000-hour LED lifespan based on IES LM-80 results and TM-21 calculations

#### Color Stability:

LED color temperature is warranted to shift no more than 200K in CCT over a 5 year period

#### Color Uniformity:

RAB's range of CCT (Correlated Color Temperature) follows the guidelines of the American National Standard for Specifications for the Chromaticity of Solid State Lighting (SSL) Products, ANSI C78.377-2017.

### Construction

#### IP Rating:

Ingress Protection rating of IP66 for dust and water

#### IES Classification:

The Type V distribution produces light in a wide and uniform 360° pattern that is perfect for large outdoor areas such as parking lots, corporate parks and retail settings

#### Cold Weather Starting:

Minimum starting temperature is -40°C (-40°F)

#### Housing:

Precision die-cast aluminum housing and arm

#### Mounting:

Mounts on pole

#### Reflector:

High-reflectance white paint

#### Lens:

Flat polycarbonate lens

#### Gaskets:

High-temperature silicone

#### Finish:

Formulated for high-durability and long lasting color

#### Green Technology:

Mercury and UV-free. RoHS compliant components. Polyester powder coat finish formulated without the use of VOCs or toxic heavy metals.

### Optical

#### BUG Rating:

B2 U3 G2

### Other

#### Patents:

The design of YBLED26 is protected by patents pending in US, Canada, China, Taiwan and Mexico

#### Photocell:

120-277V Button Photocell Included. Photocell is compatible with 120V-277V.

#### Replacement:

Replaces up to 175W Metal Halide and up to 100W High Pressure Sodium

## Technical Specifications (continued)

### Other

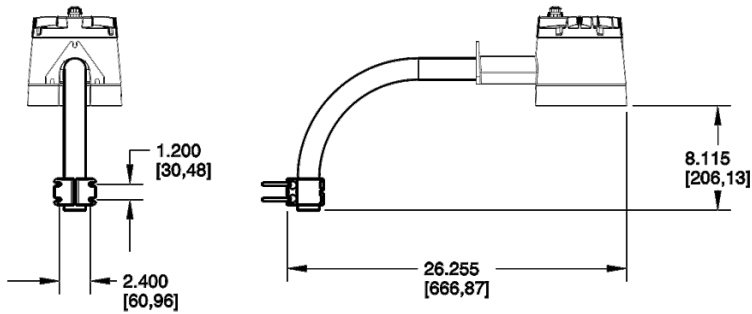
#### Warranty:

RAB warrants that our LED products will be free from defects in materials and workmanship for a period of five (5) years from the date of delivery to the end user, including coverage of light output, color stability, driver performance and fixture finish.

#### Buy American Act Compliance:

RAB values USA manufacturing! Upon request, RAB may be able to manufacture this product to be compliant with the Buy American Act (BAA). Please contact customer service to request a quote for the product to be made BAA compliant.

### Dimensions



### Features

- Widespread light distribution illuminates large areas
- Vandal-resistant
- High-impact polycarbonate lens
- Rugged die-cast aluminum housing withstands harsh environments
- 100,000-hour LED lifespan

### Ordering Matrix

Family	Wattage	Color Temp	Mounting	Dimming	Control Options
YBLED	40	Y	/ARM		/PCU
	60 = 60W 40 = 40W	Blank = 5000K (Cool) N = 4000K (Neutral) Y = 3000K (Warm)	Blank = Wall /ARM = Arm	Blank = No Dimming /D10 = 0-10V Dimming (Available with options /5PR or /LC only)	/PCU = PCU (Standard) /PCT = 120-277V Twistlock Photocell /5PR = 5-Pin Receptacle /LC = Lightcloud® Controller