



High output 26W LED yardblaster delivers enough light to hit the broad side of a barn. Replaces 175W mercury vapor and 150W HPS barn lights. Durable finish withstands harsh environments.

Color: Silver gray

Weight: 6.4 lbs

Project:	Type:
Prepared By:	Date:

Driver Info		LED Info	
Type:	Constant Current	Watts:	26W
120V:	0.25A	Color Temp:	4000K
208V:	N/A	Color Accuracy:	75 CRI
240V:	N/A	L70 Lifespan:	100000
277V:	N/A	Lumens:	3626
Input Watts:	30W	Efficacy:	122 LPW
Efficiency:	88%		

Technical Specifications

Listings

UL Listing:

Suitable for wet locations

IESNA LM-79 & LM-80 Testing:

RAB LED luminaires have been tested by an independent laboratory in accordance with IESNA LM-79 and LM-80, and have received the Department of Energy "Lighting Facts" label

Electrical

Photocell:

Integrated 120V compatible photocell included

Driver:

Constant Current, 120V, 50/60 Hz, 700mA, 120V: 0.6A, Power Factor: 99.6%

THD:

6.8% at 120V, 12.4% at 277V

Power Factor:

99.5% at 120V, 93.6% at 277V

Surge Protection:

2kV

LED Characteristics

LEDs:

Multi-chip, high-output, long-life LED

Lifespan:

100,000-hour LED lifespan based on IES LM-80 results and TM-21 calculations

Color Stability:

LED color temperature is warranted to shift no more than 200K in CCT over a 5 year period

Color Uniformity:

RAB's range of CCT (Correlated Color Temperature) follows the guidelines of the American National Standard for Specifications for the Chromaticity of Solid State Lighting (SSL) Products, ANSI C78.377-2017.

Construction

Cold Weather Starting:

Minimum starting temperature is -40°C (-40°F)

Housing:

Precision die-cast aluminum housing and arm

Mounting:

Mounts on wall or existing arm/pole YARM24 (1 5/8" diameter pipe)

Effective Projected Area:

EPA = 0.3

Recommended Mounting Height:

15 ft

Lens:

High-impact, frosted polycarbonate lens

Reflector:

High-reflectance white paint

Gaskets:

High-temperature silicone

Green Technology:

Mercury and UV-free. RoHS compliant components. Polyester powder coat finish formulated without the use of VOCs or toxic heavy metals.

Other

Patents:

The design of YBLED26 is protected by patents pending in US, Canada, China, Taiwan and Mexico

Warranty:

RAB warrants that our LED products will be free from defects in materials and workmanship for a period of five (5) years from the date of delivery to the end user, including coverage of light output, color stability, driver performance and fixture finish.

Buy American Act Compliance:

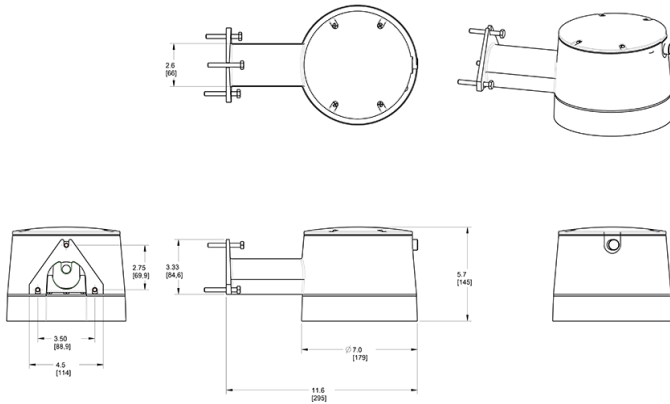
RAB values USA manufacturing! Upon request, RAB may be able to manufacture this product to be compliant with the Buy American Act (BAA). Please contact customer service to request a quote for the product to be made BAA compliant.

Optical

BUG Rating:

B1 U2 G1

Dimensions



Features

- Replaces 175W mercury vapor and 150W HPS barn lights
- Widespread light distribution illuminates large areas
- Vandal-resistant
- High-impact polycarbonate lens
- Rugged die-cast aluminum housing withstands harsh environments
- Integrated dusk to dawn photocell
- 100,000-hour LED lifespan

Ordering Matrix

Family	Wattage	Color Temp	Mounting	Options
YBLED	26 26 = 26W	N Blank = 5000K (Cool) Y = 3000K (Warm) N = 4000K (Neutral)	Blank = Wall /ARM = Arm	Blank = No Option /PCT = 120-277V Twistlock