



HPS "Tall" Wallpack. Vandal resistant polycarbonate housing. Heavy die-cast aluminum back plate with 1/2" bottom and back conduit knockout. Factory installed 120V photocell with bypass cap included. Glare shield included. Lamp supplied.

Color: White

Weight: 8.2 lbs

<b>Project:</b>	<b>Type:</b>
<b>Prepared By:</b>	<b>Date:</b>

Lamp Info		Ballast Info	
Type:	ED17	Type:	R-NPF 120V
Watts:	35W	120V:	1.4/0.9A
Shape/Size:	N/A	208V:	N/A
Base:	N/A	240V:	N/A
ANSI:	N/A	277V:	N/A
Hours:	24,000	Input Watts:	46W
Lamp Lumens:	2,250	Efficiency:	76%
Efficacy:	49 LPW		

## Technical Specifications

### Listings

#### cUL Listing:

Suitable for wet locations.

### Construction

#### Reflector:

Die formed aluminum for wide light distribution. Moveable Glare Shield for field adjustable light control slanted slightly downward for more light on the job.

#### Housing and Refractor:

Vandal resistant polycarbonate molded refractor. Die cast aluminum back plate.

### Electrical

#### Ballast Housing:

Stamped steel painted white.

### Other

#### Back Plate:

Heavy die cast aluminum. 1/2" bottom conduit knockout. Knockouts for mounting to 3" or 4" junction boxes.

#### Patents:

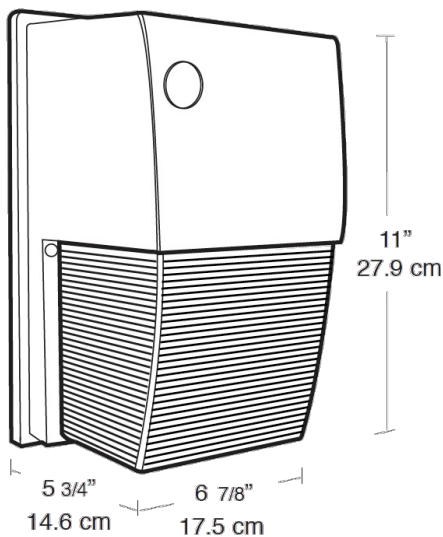
The unique RC Tallpack is protected by Canada Patent D121,993, U.S. Patent D569,029; China Patent ZL200730149211.2; Taiwan Patent D124,864.

### Optical

#### BUG Rating:

B0 U3 G2

## Dimensions



## Features

- Heavy, die cast aluminum back plate with box mounting template
- Shades work great with tallpacks!
- 1/2" bottom conduit knockout
- Packaging has product features, ballast and lamp specifications
- Lighting layout photometrics and installation instructions are available