

# WPTLED40N/D10/PC2/LC



High performance LED tallpack. Covers footprint of most HID Tallpacks. Vandal resistant lens. Precision die-cast aluminum. 0-10V dimmable driver with 120-277V photocell. Includes built in support for Lightcloud, a wireless lighting control system and service, fully developed by RAB.

Color: Bronze

Weight: 8.5 lbs

Project:

Type:

Prepared By:

Date:

## Driver Info

Type:	Constant Current
120V:	0.322A
208V:	0.202A
240V:	0.175A
277V:	0.147A
Input Watts:	38W
Efficiency:	N/A

## LED Info

Watts:	40W
Color Temp:	4000K
Color Accuracy:	73 CRI
L70 Lifespan:	100000
Lumens:	4,015
Efficacy:	106 LPW

## Technical Specifications

### Lightcloud

#### Lightcloud Installed:

Lightcloud is a commercial wireless lighting control system and service fully developed and supported by RAB. It's powerful and flexible, yet easy to use and install.

### Listings

#### UL Listing:

Suitable for wet locations. Wall mount only.

#### DLC Listed:

This product is on the Design Lights Consortium (DLC) Qualified Products List and is eligible for rebates from DLC Member Utilities.

DLC Product Code: PYRSEEY3

#### IESNA LM-79 & LM-80 Testing:

RAB LED luminaires have been tested by an independent laboratory in accordance with IESNA LM-79 and LM-80, and have been received the Department of Energy "Lighting Facts" label.

### LED Characteristics

#### Lifespan:

100,000-hour LED lifespan based on IES LM-80 results and TM-21 calculations.

#### LEDs:

Long-life, high-efficiency surface mount LEDs

#### Color Stability:

LED color temperature is warranted to shift no more than 200K in CCT over a 5 year period.

#### Color Uniformity:

RAB's range of CCT (Correlated Color Temperature) follows the guidelines of the American National Standard for Specifications for the Chromaticity of Solid State Lighting (SSL) Products, ANSI C78.377-2011.

### Electrical

#### Drivers:

Constant Current, Class 2, 900mA, 100-277V, 50-60Hz, 120V: 0.322A, 208V: 0.202A, 240V: 0.175A, 277V: 0.147A, Surge Protection: 6kV

#### Power Factor:

99.0% at 120V, 92.8% at 277V

#### THD:

10.9% at 120V, 15.2% at 277V

#### Dimming Driver:

0-10V dimming driver standard for ultimate flexibility. Use as on/off or utilize the 0-10V DC dimming circuit for controls.

#### Photocell:

Photocell is rated for 120V thru 277V. To disable, simply use the provide silicone rubber cap and cover.

### Optical

#### BUG Rating:

B0 U4 G3

### Construction

#### Ambient Temperature:

Suitable for -40°C (-40°F) to 40°C (104°F) ambient temperatures

#### Cold Weather Starting:

The minimum starting temperature is -40°C/-40°F

#### Thermal Management:

Superior thermal management with die-cast aluminum heatsink

#### Housing:

Precision die-cast aluminum.

#### Refractor Lens:

High-impact, diffuse, UV-stabilized polycarbonate

#### Mounting:

Three (3) 1/2" NPS conduit entry points (2 sides for through-feed, and bottom), and drilling template for easy wall box mounting.

#### Reflector:

High-gloss white aluminum.

#### Gaskets:

High-temperature silicone gaskets

#### Finish:

Our environmentally friendly polyester powder coatings are formulated for high-durability and long-lasting color, and contains no VOC or toxic heavy metals.

#### Green Technology:

Mercury and UV free. RoHS compliant components. Polyester powder coat finish formulated without the use of VOC or toxic heavy metals.

### Other

#### Equivalency:

The WPTLED40 is equivalent in delivered lumens to a 100W MH/70W HPS.

#### California Title 24:

See 12 and 25 Watt versions of WPTLED for products that comply with 2013 California Title 24 building and electrical codes as residential outdoor fixtures and as a commercial outdoor non-pole-mounted fixtures ≤ 30 Watts.

## Technical Specifications (continued)

### Other

#### Warranty:

RAB warrants that our LED products will be free from defects in materials and workmanship for a period of five (5) years from the date of delivery to the end user, including coverage of light output, color stability, driver performance and fixture finish.

#### Patents:

The design of WPTLED is protected by patents pending in US, Canada, China, Taiwan and Mexico.

#### Country of Origin:

Designed by RAB in New Jersey and assembled in the USA by RAB's IBEW Local 3 workers.

#### Buy American Act Compliant:

This product is a COTS item manufactured in the United States, and is compliant with the Buy American Act.

#### Recovery Act (ARRA) Compliant:

This product complies with the 52.225-21 "Required Use of American Iron, Steel, and Manufactured Goods-- Buy American Act-- Construction Materials (October 2010).

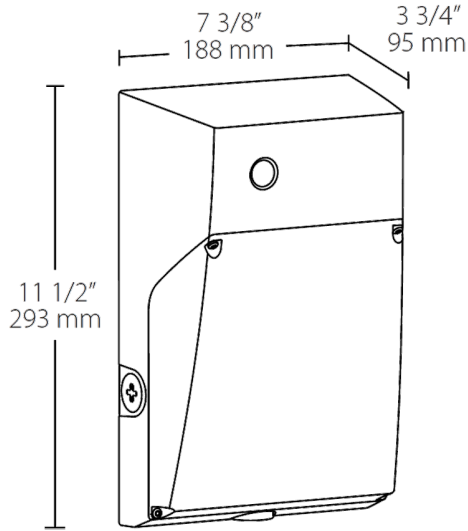
#### Trade Agreements Act Compliant:

This product is a COTS item manufactured in the United States, and is compliant with the Trade Agreements Act.

#### GSA Schedule:

Suitable in accordance with FAR Subpart 25.4.

## Dimensions



## Features

- Covers footprints of most HID tallpacks
- 0-10V dimmable driver & 120 - 277V photocell
- Vandal-resistant lens
- 100,000-Hour LED lifespan
- Built in support Lightcloud™
- Easy setup - simply power on, confirm device connectivity and call 844-LIGHTCLOUD