



Heavy duty die cast aluminum housing with prismatic glass refractor. HPS and Metal Halide models available with 1/2" bottom and back conduit opening. Factory installed photocell optional. Lamp supplied.

Color: White

Weight: 13.7 lbs

Project:	Type:
Prepared By:	Date:

Lamp Info		Ballast Info	
Type:	ED17	Type:	HX-HPF QT
Watts:	100W	120V:	1.3/1.2A
Shape/Size:	N/A	208V:	N/A
Base:	N/A	240V:	N/A
ANSI:	N/A	277V:	N/A
Hours:	24,000	Input Watts:	130W
Lamp Lumens:	9,500	Efficiency:	77%
Efficacy:	73 LPW		

Technical Specifications

Electrical

Photocell:

120V Button Photocell Included. Photocell is only compatible with 120V.

Ballast Housing:

Stamped steel painted white.

Quad Tap:

Fixture works with 120, 208, 240, and 277 volts.

Listings

UL Listing:

Suitable for wet locations.

Construction

Reflector:

Die formed aluminum for wide light distribution. Moveable Glare Shield for field adjustable light control slanted slightly downward for more light on the job.

Housing:

Heavy duty cast aluminum housing.

Other

Back Plate:

Heavy die cast aluminum. 1/2" bottom conduit knockout. Knockouts for mounting to 3" or 4" junction boxes.

Patents:

The designs of RAB fixtures are protected under U.S., Canadian and international intellectual property laws.

Country of Origin:

Designed by RAB in New Jersey and assembled in the USA by RAB's IBEW Local 3 workers.

Buy American Act Compliant:

This product is a COTS item manufactured in the United States, and is compliant with the Buy American Act.

Recovery Act (ARRA) Compliant:

This product complies with the 52.225-21 "Required Use of American Iron, Steel, and Manufactured Goods-- Buy American Act-- Construction Materials (October 2010).

Trade Agreements Act Compliant:

This product is a COTS item manufactured in the United States, and is compliant with the Trade Agreements Act.

GSA Schedule:

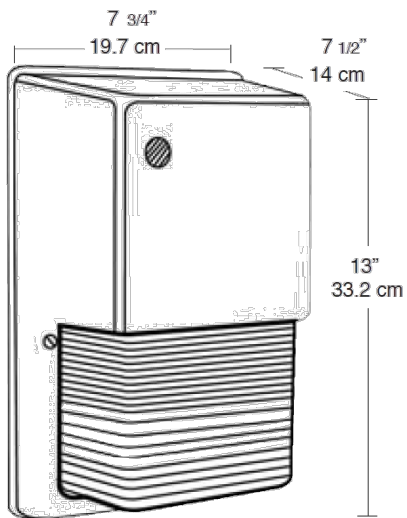
Suitable in accordance with FAR Subpart 25.4.

Optical

Reflector:

Heavy prismatic glass refractor.

Dimensions



Features

- Heavy, die cast aluminum back plate with box mounting template
- Shades work great with tallpacks!
- 1/2" bottom conduit knockout
- Packaging has product features, ballast and lamp specifications
- Lighting layout photometrics and installation instructions are available