



28 thru 42 Watt compact fluorescent Tallpack. Vandal resistant polycarbonate housing. Heavy die-cast aluminum back plate with 1/2" bottom and back conduit opening. Factory installed 120V photocell with bypass cap included. Operating temperature 28w (-20°F), 26, 32 & 42w(0°F). Lamp supplied.

Color: Bronze

Weight: 4.5 lbs

<b>Project:</b>	<b>Type:</b>
<b>Prepared By:</b>	<b>Date:</b>

Lamp Info		Ballast Info	
Type:	42W Triple	Type:	Elec HPF QT
Watts:	42W	120V:	N/A
Shape/Size:	N/A	208V:	N/A
Base:	N/A	240V:	N/A
ANSI:	N/A	277V:	0.17A
Hours:	10,000	Input Watts:	46W
Lamp Lumens:	3,000	Efficiency:	91%
Efficacy:	65 LPW		

**Technical Specifications**

**Listings**

**UL Listing:**

Suitable for wet locations.

**Other**

**Photocell>:**

Button 277V Photocell Included. Photocell is compatible with 208V-277V.

**Back Plate:**

Heavy die cast aluminum. 1/2" bottom conduit knockout. Knockouts for mounting to 3" or 4" junction boxes.

**Patents:**

The unique RAB Tallpack is protected by U.S. Patent D569,029; China Patent ZL200730149211.2; Taiwan Patent D124,864 and Canada Patent D121,993.

**Country of Origin:**

Designed by RAB in New Jersey and assembled in the USA by RAB's IBEW Local 3 workers.

**Buy American Act Compliant:**

This product is a COTS item manufactured in the United States, and is compliant with the Buy American Act.

**Recovery Act (ARRA) Compliant:**

This product complies with the 52.225-21 "Required Use of American Iron, Steel, and Manufactured Goods-- Buy American Act-- Construction Materials (October 2010).

**Trade Agreements Act Compliant:**

This product is a COTS item manufactured in the United States, and is compliant with the Trade Agreements Act.

**GSA Schedule:**

Suitable in accordance with FAR Subpart 25.4.

**Construction**

**Reflector:**

Die formed aluminum for wide light distribution. Moveable Glare Shield for field adjustable light control slanted slightly downward for more light on the job.

**Housing and Refractor:**

Vandal resistant polycarbonate molded refractor. Die cast aluminum back plate.

**Ballast Minimum Starting Temperature:**

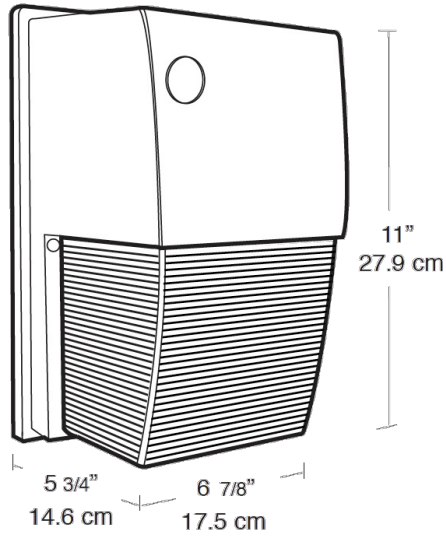
0°F.

**Electrical**

**Ballast Housing:**

Stamped steel painted white.

## Dimensions



## Features

- Heavy, die cast aluminum back plate with box mounting template
- Shades work great with tallpacks!
- 1/2" bottom conduit knockout
- Packaging has product features, ballast and lamp specifications
- Lighting layout photometrics and installation instructions are available