



28 thru 42 Watt compact fluorescent Tallpack. Vandal resistant polycarbonate housing. Heavy die-cast aluminum back plate with 1/2" bottom and back conduit opening. Factory installed 120V photocell with bypass cap included. Operating temperature 28w (-20°F), 26, 32 & 42w(0°F). Lamp supplied.

Color: Bronze

Weight: 5.0 lbs

Project:	Type:
Prepared By:	Date:

Lamp Info		Ballast Info	
Type:	Quad	Type:	NPF 120V
Watts:	28W	120V:	.6/.2A
Shape/Size:	N/A	208V:	N/A
Base:	N/A	240V:	N/A
ANSI:	N/A	277V:	N/A
Hours:	10,000	Input Watts:	26W
Lamp Lumens:	1,600		
Efficacy:	62 LPW		

Technical Specifications

Listings

UL Listing:

Suitable for wet locations.

Construction

Reflector:

Die formed aluminum for wide light distribution. Moveable Glare Shield for field adjustable light control slanted slightly downward for more light on the job.

Housing and Refractor:

Vandal resistant polycarbonate molded refractor. Die cast aluminum back plate.

Ballast Minimum Starting Temperature:

-20°F.

Electrical

Ballast Housing:

Stamped steel painted white.

Other

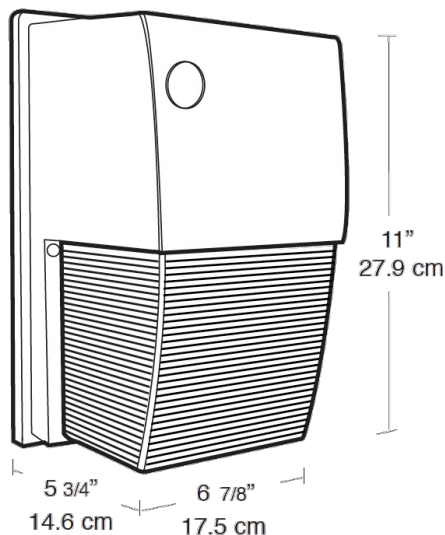
Back Plate:

Heavy die cast aluminum. 1/2" bottom conduit knockout. Knockouts for mounting to 3" or 4" junction boxes.

Patents:

The unique RAB Tallpack is protected by U.S. Patent D569,029; China Patent ZL200730149211.2; Taiwan Patent D124,864 and Canada Patent D121,993.

Dimensions



Features

- Heavy, die cast aluminum back plate with box mounting template
- Shades work great with tallpacks!
- 1/2" bottom conduit knockout
- Packaging has product features, ballast and lamp specifications
- Lighting layout photometrics and installation instructions are available