



## Technical Specifications (continued)

### Other

#### Warranty:

RAB warrants that our LED products will be free from defects in materials and workmanship for a period of five (5) years from the date of delivery to the end user, including coverage of light output, color stability, driver performance and fixture finish.

#### Patents:

The design of WPLED125 is protected by patents pending in US, Canada, China, Taiwan and Mexico.

#### Country of Origin:

Designed by RAB in New Jersey and assembled in the USA by RAB's IBEW Local 3 workers.

#### Buy American Act Compliant:

This product is a COTS item manufactured in the United States, and is compliant with the Buy American Act.

#### Recovery Act (ARRA) Compliant:

This product complies with the 52.225-21 "Required Use of American Iron, Steel, and Manufactured Goods-- Buy American Act-- Construction Materials (October 2010).

#### Trade Agreements Act Compliant:

This product is a COTS item manufactured in the United States, and is compliant with the Trade Agreements Act.

#### GSA Schedule:

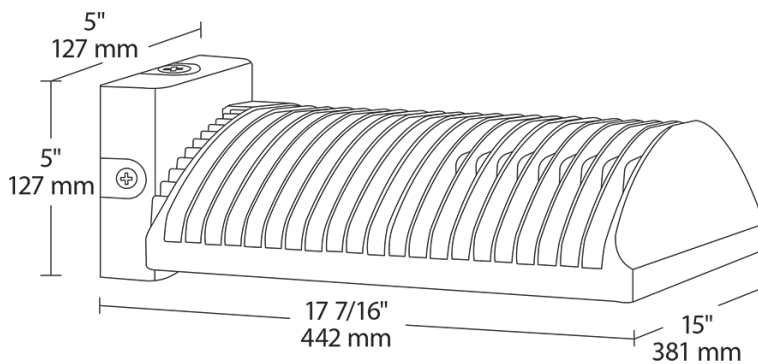
Suitable in accordance with FAR Subpart 25.4.

#### Optical

#### BUG Rating:

B2 U0 G2

### Dimensions



### Features

- High output, high efficiency LED
- Maintains 70% of initial lumens at 100,000 hours
- Weatherproof high temperature silicone gaskets
- Superior heat sinking with die cast aluminum housing and external fins
- 100 up to 277 Volts
- 5-year warranty

### Ordering Matrix

Family	Distribution	Watts	Color Temp	Mount	Finish	Voltage	Photocell	Dimming	Sensor	Bi-Level
WPLED										
2T = Type II	125 =	Blank =	Blank =	Blank =	Blank =	Blank = No	Blank = No	/WS4 = Multi-Level Motion Sensor (Only available for 120-277V with /D10 for 125W)	Blank = No	Blank = No
3T = Type III	125W	5000K (Cool)	Standard	Bronze	120-277V	Photocell	Dimming		Bi-Level	
4T = Type IV		Y = 3000K (Warm)	FX = Flat Wall	W = White	/480 = 480V	/PC = 120V Button	/D10 = Dimmable		/BL = Bi-Level	
		N = 4000K (Neutral)				/PC2 = 277 Button				
						/PCS = 120V Swivel				
						/PCS2 = 277V Swivel				
						/PCT = 120-277V Twistlock				
						/PCS4 = 480V Swivel				
						/PCT4 = 480V Twistlock				