

# WPLED104W/LC



LED 104W Wallpacks. 3 cutoff options. Patent Pending thermal management system. 100,000 hour L70 lifespan. 5 Year Warranty. Includes built in support for Lightcloud, a wireless lighting control system and service, fully developed by RAB.

Color: White

Weight: 26.0 lbs

**Project:**

**Type:**

**Prepared By:**

**Date:**

### Driver Info

Type:	Constant Current
120V:	0.95A
208V:	0.59A
240V:	0.51A
277V:	0.44A
Input Watts:	113W
Efficiency:	92%

### LED Info

Watts:	104W
Color Temp:	5000K
Color Accuracy:	69 CRI
L70 Lifespan:	100000
Lumens:	10,010
Efficacy:	88 LPW

**Technical Specifications**

**Lightcloud**

**Lightcloud Installed:**

Lightcloud is a commercial wireless lighting control system and service fully developed and supported by RAB. It's powerful and flexible, yet easy to use and install.

**Listings**

**UL Listing:**

UL Suitable for Wet Locations as Uplight and Downlight Wall Mount Only.

**IESNA LM-79 & LM-80 Testing:**

RAB LED Luminaires have been tested by an independent laboratory in accordance with IESNA LM-79 and LM-80, and have received the Department of Energy "Lighting Facts" label.

**DLC Listed:**

This product is on the Design Lights Consortium (DLC) Qualified Products List and is eligible for rebates from DLC Member Utilities.  
DLC Product Code: P000017B6

**Construction**

**IP Rating:**

Ingress Protection rating of IP66 for dust and water.

**Maximum Ambient Temperature:**

Suitable for use in 40°C (104°F) ambient temperatures

**Thermal Management:**

Superior thermal management with external Air-Flow fins.

**Housing:**

Precision die-cast aluminum housing, door frame arm and wall bracket.

**Mounting:**

Die-cast aluminum wall bracket with (5) 1/2" conduit openings with plugs. Two-piece bracket with tether for ease of installation and wiring.

**Arm:**

Die-cast aluminum with wiring access plate.

**Cutoff:**

Standard (15°)

**Lens:**

Tempered glass.

**Reflector:**

Specular vacuum metallized polycarbonate.

**Gaskets:**

High-temperature silicone

**Finish:**

Our environmentally friendly polyester powder coatings are formulated for high-durability and long-lasting color, and contains no VOC or toxic heavy metals.

**Green Technology:**

Mercury and UV free. RoHS compliant components. Polyester powder coat finish formulated without the use of VOC or toxic heavy metals.

**LED Characteristics**

**LEDs:**

Four multi-chip, high-output, long-life LEDs.

**Lifespan:**

100,000-hour LED lifespan based on IES LM-80 results and TM-21 calculations.

**Color Consistency:**

7-step MacAdam Ellipse binning to achieve consistent fixture-to-fixture color.

**Color Stability:**

LED color temperature is warranted to shift no more than 200K in CCT over a 5 year period.

**Color Uniformity:**

RAB's range of CCT (Correlated Color Temperature) follows the guidelines of the American National Standard for Specifications for the Chromaticity of Solid State Lighting (SSL) Products, ANSI C78.377.2011.

**Electrical**

**Driver:**

Constant current, Class 1, 100-277V, 50/60 Hz, 4kV Surge Protection, 700mA, 100-277V = 0.95A, Power Factor 99.2%.

**THD:**

5.7% at 120V, 10.4% at 277V Other

**Equivalency:**

The WPLED104 is Equivalent in delivered lumens to a 400W Metal Halide Wallpack.

**California Title 24:**

See WPLED104/BL for a 2013 California Title 24 compliant product. Any additional component requirements will be listed in the Title 24 section under technical specifications on the product page.

**Patents:**

The design of the WPLED104 is protected by patents pending in US, Canada, China, Taiwan and Mexico.

**Technical Specifications (continued)**

**Other**

**Warranty:**

RAB warrants that our LED products will be free from defects in materials and workmanship for a period of five (5) years from the date of delivery to the end user, including coverage of light output, color stability, driver performance and fixture finish.

**Country of Origin:**

Designed by RAB in New Jersey and assembled in the USA by RAB's IBEW Local 3 workers.

**Buy American Act Compliant:**

This product is a COTS item manufactured in the United States, and is compliant with the Buy American Act.

**Recovery Act (ARRA) Compliant:**

This product complies with the 52.225-21 "Required Use of American Iron, Steel, and Manufactured Goods-- Buy American Act-- Construction Materials (October 2010).

**Trade Agreements Act Compliant:**

This product is a COTS item manufactured in the United States, and is compliant with the Trade Agreements Act.

**GSA Schedule:**

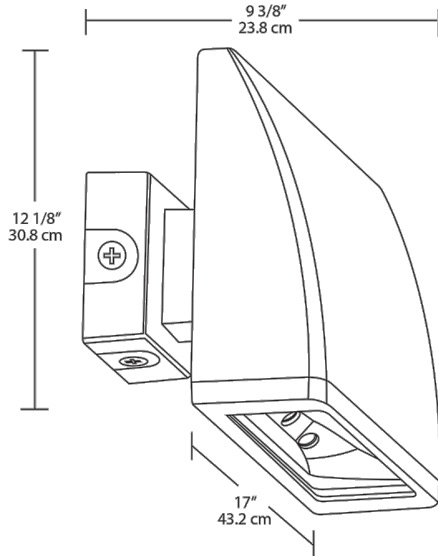
Suitable in accordance with FAR Subpart 25.4.

**Optical**

**BUG Rating:**

B1 U1 G3

## Dimensions



## Features

- High performance LED light engine
- Maintains 70% of initial lumens at 100,000 hours
- Weatherproof high temperature silicone gaskets
- Superior heat sinking with die cast aluminum housing and external fins
- Replaces 400W MH
- 100 up to 277 Volts
- 5-year warranty
- Built in support Lightcloud™
- Easy setup - simply power on, confirm device connectivity and call 844-LIGHTCLOUD