



Fully shielded. Full Cutoff Wallpack. Full Cutoff optics for 400 Watt HPS or 320 - 400 Watt MH. Full Cutoff optics with flat tempered glass lens. Cap/Ignitor cradle and EZ mount knock-outs for easy wiring. Lamp supplied.

Color: Bronze

Weight: 32.5 lbs

<b>Project:</b>	<b>Type:</b>
<b>Prepared By:</b>	<b>Date:</b>

Lamp Info		Ballast Info	
Type:	ED18	Type:	CWA HPF QT
Watts:	400W	120V:	3.7/3.8A
Shape/Size:	N/A	208V:	2.2/2.2A
Base:	N/A	240V:	1.9/1.9A
ANSI:	N/A	277V:	1.6/1.7A
Hours:	24,000	Input Watts:	464W
Lamp Lumens:	50,000	Efficiency:	86%
Efficacy:	108 LPW		

## Technical Specifications

### Listings

#### UL Listing:

Suitable for wet locations. HID fixtures can be wired with 90°C supply wiring if supply wires are routed 3" away from the ballast.

#### Dark Sky Approved:

The International Dark Sky Association has approved this product as a full cutoff, fully shielded luminaire.

### Construction

#### Housing:

Die cast aluminum 1/2" NPS tapped holes top, both sides and back for conduit or photocontrol. Hinged refractor frame, Continuous silicone rubber gasket.

#### Reflector:

Specular anodized aluminum, removable for installation. Symmetrical light pattern maximizes distance between fixtures.

#### Finish:

Our environmentally friendly polyester powder coatings are formulated for high-durability and long-lasting color, and contains no VOC or toxic heavy metals.

#### For use on LEED Buildings:

IDA Dark Sky Approval means that this fixture can be used to achieve LEED Credits for Light Pollution Reduction.

### Optical

#### Refractor:

Prismatic optics designed to minimize glare and throw light down and out. Heat resistant borosilicate glass.

### Other

#### Buy American Act Compliant:

This product is a COTS item manufactured in the United States, and is compliant with the Buy American Act.

#### Recovery Act (ARRA) Compliant:

This product complies with the 52.225-21 "Required Use of American Iron, Steel, and Manufactured Goods-- Buy American Act-- Construction Materials (October 2010).

#### Trade Agreements Act Compliant:

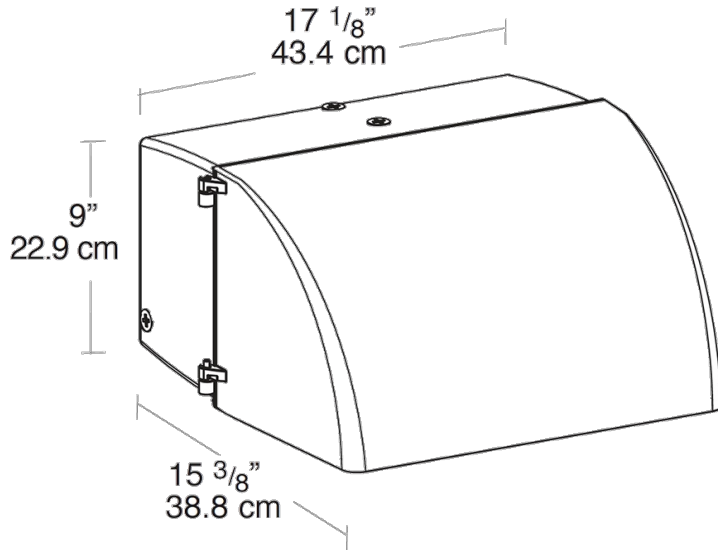
This product is a COTS item manufactured in the United States, and is compliant with the Trade Agreements Act.

#### GSA Schedule:

Suitable in accordance with FAR Subpart 25.4.

# WP4FCSC400QT

## Dimensions



## Features

- Hinged door frame opens and remains captive for easy relamping
- Precision die cast aluminum housing with durable polyester powder coating
- Silicone gasket remains in place during relamping
- Tempered glass refractor
- Long life lamp included