



Fully shielded. Full Cutoff Wallpack. Full Cutoff optics for 400 Watt HPS or 320 - 400 Watt MH. Full Cutoff optics with flat tempered glass lens. Cap/ignitor cradle and EZ mount knock-outs for easy wiring. Lamp supplied.

Color: White

Weight: 29.0 lbs

**Project:**

**Type:**

**Prepared By:**

**Date:**

**Lamp Info**

Type: -  
 Watts: 400W  
 Shape/Size: N/A  
 Base: N/A  
 ANSI: N/A  
 Hours: N/A  
 Lamp Lumens: N/A  
 Efficacy: N/A

**Ballast Info**

Type: N/A  
 120V: N/A  
 208V: N/A  
 240V: N/A  
 277V: N/A  
 Input Watts: 0W

## Technical Specifications

### Electrical

**Photocell:**

120V Button Photocell Included. Photocell is only compatible with 120V.

**Listings**

**UL Listing:**

Suitable for wet locations. HID fixtures can be wired with 90°C supply wiring if supply wires are routed 3" away from the ballast.

**Dark Sky Approved:**

The International Dark Sky Association has approved this product as a full cutoff, fully shielded luminaire.

**Construction**

**Housing:**

Die cast aluminum 1/2" NPS tapped holes top, both sides and back for conduit or photocontrol. Hinged refractor frame, Continuous silicone rubber gasket.

**Reflector:**

Specular anodized aluminum, removable for installation. Symmetrical light pattern maximizes distance between fixtures.

**Finish:**

Our environmentally friendly polyester powder coatings are formulated for high-durability and long-lasting color, and contains no VOC or toxic heavy metals.

**For use on LEED Buildings:**

IDA Dark Sky Approval means that this fixture can be used to achieve LEED Credits for Light Pollution Reduction.

**Optical**

**Refractor:**

Prismatic optics designed to minimize glare and throw light down and out. Heat resistant borosilicate glass.

### Other

**Buy American Act Compliant:**

This product is a COTS item manufactured in the United States, and is compliant with the Buy American Act.

**Recovery Act (ARRA) Compliant:**

This product complies with the 52.225-21 "Required Use of American Iron, Steel, and Manufactured Goods-- Buy American Act-- Construction Materials (October 2010).

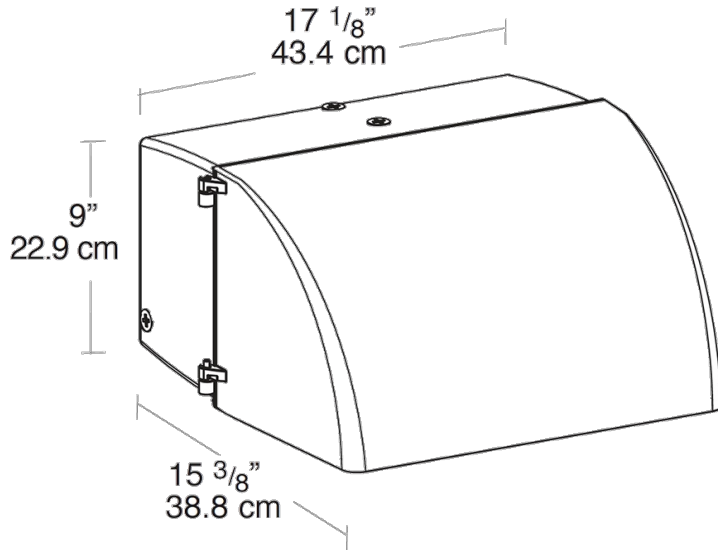
**Trade Agreements Act Compliant:**

This product is a COTS item manufactured in the United States, and is compliant with the Trade Agreements Act.

**GSA Schedule:**

Suitable in accordance with FAR Subpart 25.4.

## Dimensions



## Features

- Hinged door frame opens and remains captive for easy relamping
- Precision die cast aluminum housing with durable polyester powder coating
- Silicone gasket remains in place during relamping
- Tempered glass refractor
- Long life lamp included