



Color: Bronze

Weight: 11.1 lbs

**Project:**

**Type:**

**Prepared By:**

**Date:**

#### Driver Info

|             |                  |
|-------------|------------------|
| Type        | Constant Current |
| 120V        | N/A              |
| 208V        | N/A              |
| 240V        | N/A              |
| 277V        | N/A              |
| Input Watts | 49.30W           |
| Efficiency  | N/A              |

#### LED Info

|                |                 |
|----------------|-----------------|
| Watts          | 51.00W          |
| Color Temp     | 4000K (Neutral) |
| Color Accuracy | 74 CRI          |
| L70 Lifespan   | 100,000         |
| Lumens         | 7,300           |
| Efficacy       | 148.1 LPW       |

## Technical Specifications

### Lightcloud

#### Lightcloud Controller Installed:

Fixture, Zone, and plug-load control from one powerful device. Capable of switching, 0-10V dimming, power monitoring. Can also be used to extend the range of the Lightcloud mesh network. Attach to fixture, junction box, or electrical panel. [Learn more about Lightcloud.](#)

### Listings

#### UL Listed:

Suitable for wet locations

#### IESNA LM-79 & IESNA LM-80 Testing:

RAB LED luminaires and LED components have been tested by an independent laboratory in accordance with IESNA LM-79 and LM-80.

#### DLC Listed:

This product is listed by Design Lights Consortium (DLC) as an ultra-efficient premium product that qualifies for the highest tier of rebates from DLC Member Utilities. DLC Product Code: PQ7GE5D7

### LED Characteristics

#### Lifespan:

100,000-hour LED lifespan based on IES LM-80 results and TM-21 calculations

#### LEDs:

Multip-chip, high-output, long-life LEDs

### Construction

#### Maximum Ambient Temperature:

40°C (104°F)

#### Housing:

Die-cast aluminum

#### Reflector:

Aluminum Alloy

#### Lens:

Glass

#### Gaskets:

High-temperature silicone gaskets

#### Mounting:

Surface mount

#### Finish:

Formulated for high durability and long-lasting color

#### Green Technology:

Mercury and UV free. RoHS-compliant components.

### Electrical

#### Drivers:

Constant Current, 480V, 50/60 Hz, 480V: 0.11A

#### Dimming Driver:

Driver includes dimming control wiring for 0-10V dimming systems. Requires separate 0-10V DC dimming circuit. Dims as low as 10%.

#### THD:

11.1% at 480V

#### Power Factor:

97.5% at 480V

**Cold Weather Starting:**

The minimum starting temperature is -30°C (-22°F)

## Technical Specifications (continued)

### Electrical

#### Surge Protection:

6kV

#### Note:

All values are typical (tolerance +/- 10%)

### Other

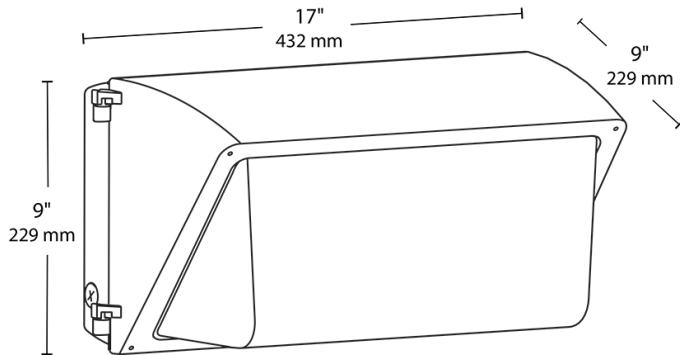
#### Warranty:

RAB warrants that our LED products will be free from defects in materials and workmanship for a period of ten (10) years from the date of delivery to the end user, including coverage of light output, color stability, driver performance and fixture finish. RAB's warranty is subject to all terms and conditions found at [rablighting.com/warranty](http://rablighting.com/warranty).

#### Buy American Act Compliance:

RAB values USA manufacturing! Upon request, RAB may be able to manufacture this product to be compliant with the Buy American Act (BAA). Please contact customer service to request a quote for the product to be made BAA compliant.

## Dimensions



## Features

- Affordable wall pack with traditional look
- Ultra-high efficacy
- Covers footprint of large HID wall packs
- 100,000-Hour LED lifespan

## Ordering Matrix

| Family | Lumen Pack Wattage   | CRI/Color Temp  | Finish                      | Voltage  | Options  |
|--------|--|---|-----------------------------|--|--|
| WP3LED | 75L  | –   | 740                         | H  | /LC  |
|        | 75L = 7500lumens, 51W<br>83L = 8300lumens, 55W<br>93L = 9300lumens, 65W<br>150L = 15,000lumens, 100W | 750 = 70 CRI, 5000K<br>740 = 70 CRI, 4000K<br>730 = 70 CRI, 3000K | Blank = Bronze<br>W = White | U = 120-277V, 0-10V Dimming<br>H = 480V, 0-10V Dimming | Blank = No Options<br>/PCU = 120-277V Button Photocell<br>/PCS = 120V Swivel Photocell<br>/PCS2 = 208V-277V Swivel Photocell<br>/PCS4 = 480V Swivel Photocell<br>/MVS = 120-277V Microwave Sensor<br>/LC = Lightcloud® Controller<br>/E2 = 120-277V Battery Backup |