



Color: Bronze

Weight: 11.1 lbs

Project:

Type:

Prepared By:

Date:

Driver Info

LED Info

Type	Constant Current	Watts	51.00W
120V	N/A	Color Temp	3000K (Warm)
208V	N/A	Color Accuracy	72 CRI
240V	N/A	L70 Lifespan	100,000
277V	N/A	Lumens	7,088
Input Watts	48.90W	Efficacy	144.9 LPW
Efficiency	N/A		

Technical Specifications

Listings

UL Listed:

Suitable for wet locations

IESNA LM-79 & IESNA LM-80 Testing:

RAB LED luminaires and LED components have been tested by an independent laboratory in accordance with IESNA LM-79 and LM-80.

DLC Listed:

This product is listed by Design Lights Consortium (DLC) as an ultra-efficient premium product that qualifies for the highest tier of rebates from DLC Member Utilities. DLC Product Code: P7C4LM7C

LED Characteristics

Lifespan:

100,000-hour LED lifespan based on IES LM-80 results and TM-21 calculations

LEDs:

Multip-chip, high-output, long-life LEDs

Construction

Cold Weather Starting:

The minimum starting temperature is -30°C (-22°F)

Maximum Ambient Temperature:

40°C (104°F)

Housing:

Die-cast aluminum

Reflector:

Aluminum Alloy

Lens:

Glass

Gaskets:

High-temperature silicone gaskets

Mounting:

Surface mount

Finish:

Formulated for high durability and long-lasting color

Green Technology:

Mercury and UV free. RoHS-compliant components.

Electrical

Drivers:

Constant Current, 480V, 50/60 Hz, 480V: 0.11A

Dimming Driver:

Driver includes dimming control wiring for 0-10V dimming systems. Requires separate 0-10V DC dimming circuit. Dims as low as 10%.

THD:

11.1% at 480V

Power Factor:

97.5% at 480V

Surge Protection:

6kV

Technical Specifications (continued)

Electrical

Photocell:

480V Swivel Photocell Included. Photocell is only compatible with 480V.

Note:

All values are typical (tolerance +/- 10%)

Other

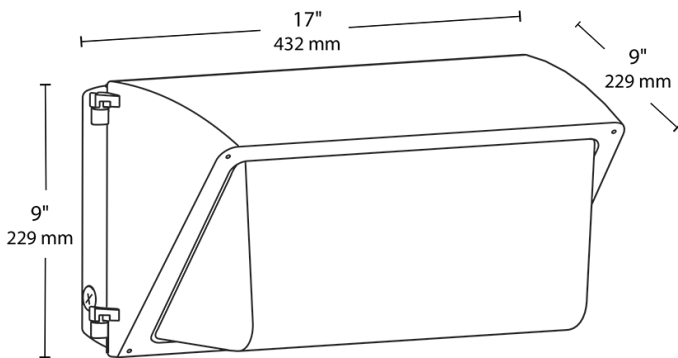
Warranty:

RAB warrants that our LED products will be free from defects in materials and workmanship for a period of ten (10) years from the date of delivery to the end user, including coverage of light output, color stability, driver performance and fixture finish. RAB's warranty is subject to all terms and conditions found at rablighting.com/warranty.

Buy American Act Compliance:

RAB values USA manufacturing! Upon request, RAB may be able to manufacture this product to be compliant with the Buy American Act (BAA). Please contact customer service to request a quote for the product to be made BAA compliant.

Dimensions



Features

- Affordable wall pack with traditional look
- Ultra-high efficacy
- Covers footprint of large HID wall packs
- 100,000-Hour LED lifespan

Ordering Matrix

Family	Lumen Pack Wattage	CRI/Color Temp	Finish	Voltage	Options
WP3LED	75L	-	730	H	/PCS4
	75L = 7500lumens, 51W 83L = 8300lumens, 55W 93L = 9300lumens, 65W 150L = 15,000lumens, 100W	750 = 70 CRI, 5000K 740 = 70 CRI, 4000K 730 = 70 CRI, 3000K	Blank = Bronze W = White	U = 120-277V, 0-10V Dimming H = 480V, 0-10V Dimming	Blank = No Options /PCU = 120-277V Button Photocell /PCS = 120V Swivel Photocell /PCS2 = 208V-277V Swivel Photocell /PCS4 = 480V Swivel Photocell /MVS = 120-277V Microwave Sensor /LC = Lightcloud® Controller /E2 = 120-277V Battery Backup