



Large wallpack with aluminum precision die cast construction and tempered glass refractor. Lamp supplied.

Color: Bronze

Weight: 25.5 lbs

<b>Project:</b>	<b>Type:</b>
<b>Prepared By:</b>	<b>Date:</b>

Lamp Info		Ballast Info	
Type:	ED28	Type:	CWA-HPF QT
Watts:	250W	120V:	1.4/2.5A
Shape/Size:	N/A	208V:	.8/1.2A
Base:	N/A	240V:	.7/1.0A
ANSI:	N/A	277V:	.6/1.1A
Hours:	15,000	Input Watts:	288W
Lamp Lumens:	25,000	Efficiency:	87%
Efficacy:	87 LPW		

**Technical Specifications**

**Listings**

**UL Listing:**

Suitable for wet locations. HID fixtures can be wired with 90°C supply wiring if supply wires are routed 3" away from the ballast.

**Electrical**

**Quartz Restrike:**

Integral electronic quartz restrike system provided to energize T-4 mini-can quartz halogen 100W lamp during initial lamp start-up or after a power interruption. Restrike system de-energizes quartz lamp prior to HID lamp reaching full brightness.

**Pulse Start:**

Pulse Start metal halide for increased lamp life, lumen maintenance, color uniformity and efficiency.

**Construction**

**Housing:**

Die cast aluminum 1/2" NPS tapped holes top, both sides and back for conduit or photocontrol. Hinged refractor frame, Continuous silicone rubber gasket.

**Reflector:**

Specular anodized aluminum, removable for installation. Symmetrical light pattern maximizes distance between fixtures.

**Finish:**

Our environmentally friendly polyester powder coatings are formulated for high-durability and long-lasting color, and contains no VOC or toxic heavy metals.

**Other**

**Country of Origin:**

Designed by RAB in New Jersey and assembled in the USA by RAB's IBEW Local 3 workers.

**Buy American Act Compliant:**

This product is a COTS item manufactured in the United States, and is compliant with the Buy American Act.

**Recovery Act (ARRA) Compliant:**

This product complies with the 52.225-21 "Required Use of American Iron, Steel, and Manufactured Goods-- Buy American Act-- Construction Materials (October 2010).

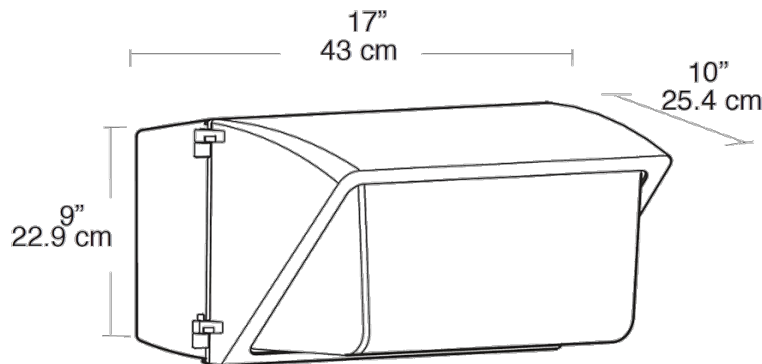
**Trade Agreements Act Compliant:**

This product is a COTS item manufactured in the United States, and is compliant with the Trade Agreements Act.

**GSA Schedule:**

Suitable in accordance with FAR Subpart 25.4.

**Dimensions**



**Features**

- Hinged door frame opens and remains captive for easy relamping
- Precision die cast aluminum housing with durable polyester powder coating
- Drilling template for easy box mounting
- Silicone gasket remains in place during relamping
- Tempered glass refractor
- Long life lamp included