



Fully shielded, Full Cutoff Wallpack. Full Cutoff Optics for 250 Watt HPS, 200-250 Watt MH or 120 Watt CFL. Full Cutoff optics with flat tempered glass lens. Cap/Ignitor cradle and EZ mount knockouts for easy wiring. Lamp supplied.

Color: White

Weight: 27.1 lbs

Project:

Type:

Prepared By:

Date:

Lamp Info

Type: T15
 Watts: 200W
 Shape/Size: N/A
 Base: N/A
 ANSI: N/A
 Hours: 15,000
 Lamp Lumens: 21,000
 Efficacy: 91 LPW

Ballast Info

Type: CWA HPF QT
 120V: 1.4/2.0A
 208V: N/A
 240V: N/A
 277V: N/A
 Input Watts: 232W
 Efficiency: 86%

Technical Specifications

Listings

UL Listing:

Suitable for wet locations. HID fixtures can be wired with 90°C supply wiring if supply wires are routed 3" away from the ballast.

Dark Sky Approved:

The International Dark Sky Association has approved this product as a full cutoff, fully shielded luminaire.

Electrical

Photocell:

Swivel 120V Photocell Included. Photocell is only compatible with 120V.

Construction

Housing:

Die cast aluminum 1/2" NPS tapped holes top, both sides and back for conduit or photocontrol. Hinged refractor frame, Continuous silicone rubber gasket.

Reflector:

Specular anodized aluminum, removable for installation. Symmetrical light pattern maximizes distance between fixtures.

Finish:

Our environmentally friendly polyester powder coatings are formulated for high-durability and long-lasting color, and contains no VOC or toxic heavy metals.

For use on LEED Buildings:

IDA Dark Sky Approval means that this fixture can be used to achieve LEED Credits for Light Pollution Reduction.

Other

Country of Origin:

Designed by RAB in New Jersey and assembled in the USA by RAB's IBEW Local 3 workers.

Buy American Act Compliant:

This product is a COTS item manufactured in the United States, and is compliant with the Buy American Act.

Recovery Act (ARRA) Compliant:

This product complies with the 52.225-21 "Required Use of American Iron, Steel, and Manufactured Goods-- Buy American Act-- Construction Materials (October 2010).

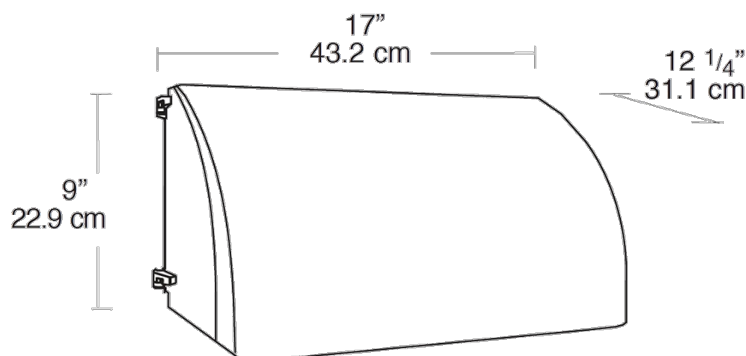
Trade Agreements Act Compliant:

This product is a COTS item manufactured in the United States, and is compliant with the Trade Agreements Act.

GSA Schedule:

Suitable in accordance with FAR Subpart 25.4.

Dimensions



Features

- Hinged door frame opens and remains captive for easy relamping
- Precision die cast aluminum housing with durable polyester powder coating
- Drilling template for easy box mounting
- Silicone gasket remains in place during relamping
- Tempered glass refractor
- Long life lamp included