



Large cutoff wallpack for 250 Watt HPS or Metal Halide or 120 Watt CFL. All aluminum precision die cast construction with tempered glass refractor. Lamp supplied.

Color: White

Weight: 22.0 lbs

Project:

Type:

Prepared By:

Date:

Lamp Info

Type: ED28
 Watts: 250W
 Shape/Size: N/A
 Base: N/A
 ANSI: N/A
 Hours: 24,000
 Lamp Lumens: 28,500
 Efficacy: 97 LPW

Ballast Info

Type: CWA-HPF QT
 120V: 1.7/2.5A
 208V: 1/1.5A
 240V: 0.8/1.3A
 277V: 0.7/1.1A
 Input Watts: 295W
 Efficiency: 85%

Technical Specifications

Listings

UL Listing:

Suitable for wet locations. HID fixtures can be wired with 90°C supply wiring if supply wires are routed 3" away from the ballast.

Electrical

Quartz Restrike:

Integral electronic quartz restrike system provided to energize T-4 mini-can quartz halogen 100W lamp during initial lamp start-up or after a power interruption. Restrike system de-energizes quartz lamp prior to HID lamp reaching full brightness.

Quad Tap:

Fixture works with 120, 208, 240 and 277 Volts.

Construction

Housing:

Die cast aluminum 1/2" NPS tapped holes top, both sides and back for conduit or photocontrol. Hinged refractor frame, Continuous silicone rubber gasket.

Reflector:

Specular anodized aluminum, removable for installation. Symmetrical light pattern maximizes distance between fixtures.

Finish:

Our environmentally friendly polyester powder coatings are formulated for high-durability and long-lasting color, and contains no VOC or toxic heavy metals.

Other

Country of Origin:

Designed by RAB in New Jersey and assembled in the USA by RAB's IBEW Local 3 workers.

Buy American Act Compliant:

This product is a COTS item manufactured in the United States, and is compliant with the Buy American Act.

Recovery Act (ARRA) Compliant:

This product complies with the 52.225-21 "Required Use of American Iron, Steel, and Manufactured Goods-- Buy American Act-- Construction Materials (October 2010).

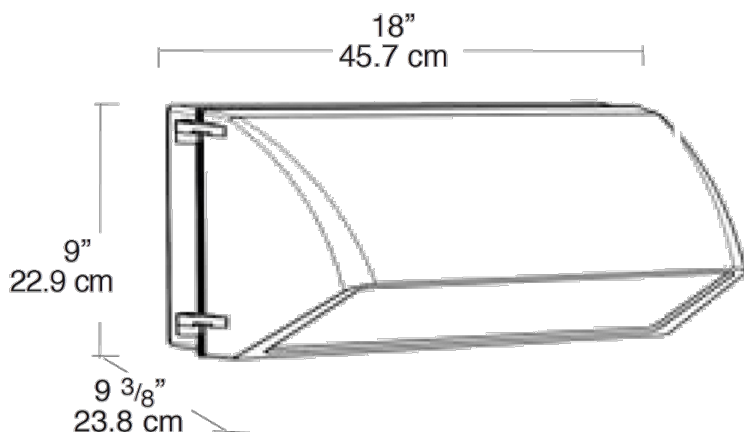
Trade Agreements Act Compliant:

This product is a COTS item manufactured in the United States, and is compliant with the Trade Agreements Act.

GSA Schedule:

Suitable in accordance with FAR Subpart 25.4.

Dimensions



Features

- Hinged door frame opens and remains captive for easy relamping
- Precision die cast aluminum housing with durable polyester powder coating
- Drilling template for easy box mounting
- Silicone gasket remains in place during relamping
- Tempered glass refractor
- Long life lamp included