



Mid sized wallpack. All aluminum precision die cast construction with tempered glass refractor. Lamp supplied.

Color: Bronze

Weight: 19.6 lbs

| | |
|---------------------|--------------|
| Project: | Type: |
| Prepared By: | Date: |

| Lamp Info | | Ballast Info | |
|--------------|--------|--------------|-----------|
| Type: | ED17 | Type: | HX-HPF QT |
| Watts: | 100W | 120V: | 1.5/1.1A |
| Shape/Size: | N/A | 208V: | N/A |
| Base: | N/A | 240V: | N/A |
| ANSI: | N/A | 277V: | N/A |
| Hours: | 24,000 | Input Watts: | 115W |
| Lamp Lumens: | 9,500 | Efficiency: | 87% |
| Efficacy: | 83 LPW | | |

Technical Specifications

Electrical

Photocell:

120V Button Photocell Included. Photocell is only compatible with 120V.

Quad Tap:

Fixture works with 120, 208, 240, and 277 volts.

Listings

UL Listing:

Suitable for wet locations. HID fixtures can be wired with 90°C supply wiring if supply wires are routed 3" away from ballast.

Construction

Housing:

Die cast aluminum, 1/2" NPS tapped holes top, both sides and back for conduit or photocontrol. Hinged refractor frame. Continuous silicone rubber gasket.

Reflector:

Specular anodized aluminum, removable for installation. Symmetrical light pattern maximizes distance between fixtures.

Cutoff Lens:

Tempered glass.

Finish:

Our environmentally friendly polyester powder coatings are formulated for high-durability and long-lasting color, and contains no VOC or toxic heavy metals.

Optical

Refractor:

Prismatic optics designed to minimize glare and throw light down and out. Heat resistant borosilicate glass.

Other

Country of Origin:

Designed by RAB in New Jersey and assembled in the USA by RAB's IBEW Local 3 workers.

Buy American Act Compliant:

This product is a COTS item manufactured in the United States, and is compliant with the Buy American Act.

Recovery Act (ARRA) Compliant:

This product complies with the 52.225-21 "Required Use of American Iron, Steel, and Manufactured Goods-- Buy American Act-- Construction Materials (October 2010).

Trade Agreements Act Compliant:

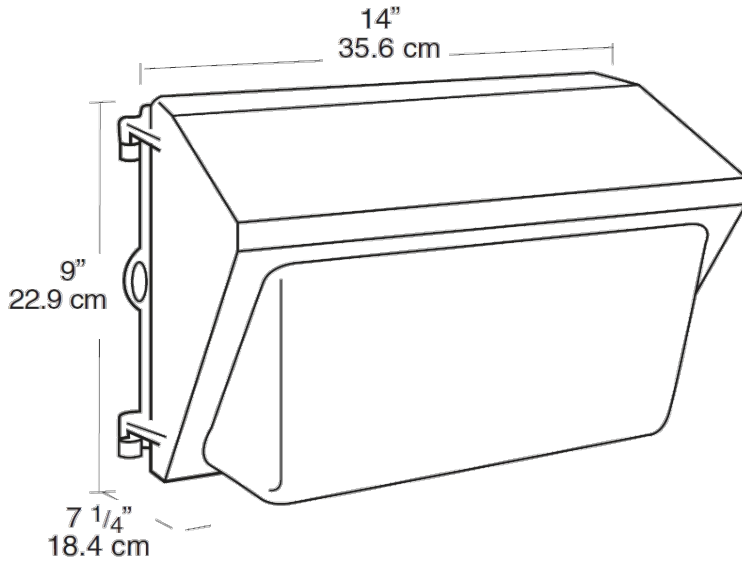
This product is a COTS item manufactured in the United States, and is compliant with the Trade Agreements Act.

GSA Schedule:

Suitable in accordance with FAR Subpart 25.4.

WP2SH100QT/PC

Dimensions



Features

- Precision die cast aluminum housing with durable polyester powder coating
- Tempered Glass Refractor
- Drilling template for easy box mounting
- Silicone gasket remains in place during relamping
- Top, side and back conduit openings
- Long life lamp included