



Mid sized wallpack. All aluminum precision die cast construction with tempered glass refractor. Lamp supplied.

Color: Bronze

Weight: 17.2 lbs

**Project:**

**Type:**

**Prepared By:**

**Date:**

### Lamp Info

Type: ED17  
 Watts: 100W  
 Shape/Size: N/A  
 Base: N/A  
 ANSI: N/A  
 Hours: 15,000  
 Lamp Lumens: 9,000  
 Efficacy: 70 LPW

### Ballast Info

Type: HX-HPF QT  
 120V: 1.2/1.2A  
 208V: .7/ .7A  
 240V: .7/ .8A  
 277V: .6/ .5A  
 Input Watts: 129W  
 Efficiency: 78%

## Technical Specifications

### Listings

#### UL Listing:

Suitable for wet locations. HID fixtures can be wired with 90°C supply wiring if supply wires are routed 3" away from ballast.

#### EISA 2007 Compliant:

This product complies with the new law for metal halide ballast efficiency. This law goes into effect January 1st, 2008. Pulse Start offers Longer Lamp Life, Faster Startup and Faster Restrike.

### Electrical

#### Quartz Restrike:

Integral electronic quartz restrike system provided to energize T-4 mini-can quartz halogen 100W lamp during initial lamp start-up or after a power interruption. Restrike system de-energizes quartz lamp prior to HID lamp reaching full brightness.

#### Quartz Restrike:

75W Quartz lamp provides immediate illumination in case of momentary power failure.

#### Quad Tap:

Fixture works with 120, 208, 240 and 277 volts.

### Construction

#### Housing:

Die cast aluminum, 1/2" NPS tapped holes top, both sides and back for conduit or photocontrol. Hinged refractor frame. Continuous silicone rubber gasket.

#### Reflector:

Specular anodized aluminum, removable for installation. Symmetrical light pattern maximizes distance between fixtures.

#### Cutoff Lens:

Tempered glass.

#### Finish:

Our environmentally friendly polyester powder coatings are formulated for high-durability and long-lasting color, and contains no VOC or toxic heavy metals.

### Optical

#### Refractor:

Prismatic optics designed to minimize glare and throw light down and out. Heat resistant borosilicate glass.

### Other

#### Country of Origin:

Designed by RAB in New Jersey and assembled in the USA by RAB's IBEW Local 3 workers.

#### Buy American Act Compliant:

This product is a COTS item manufactured in the United States, and is compliant with the Buy American Act.

#### Recovery Act (ARRA) Compliant:

This product complies with the 52.225-21 "Required Use of American Iron, Steel, and Manufactured Goods-- Buy American Act-- Construction Materials (October 2010).

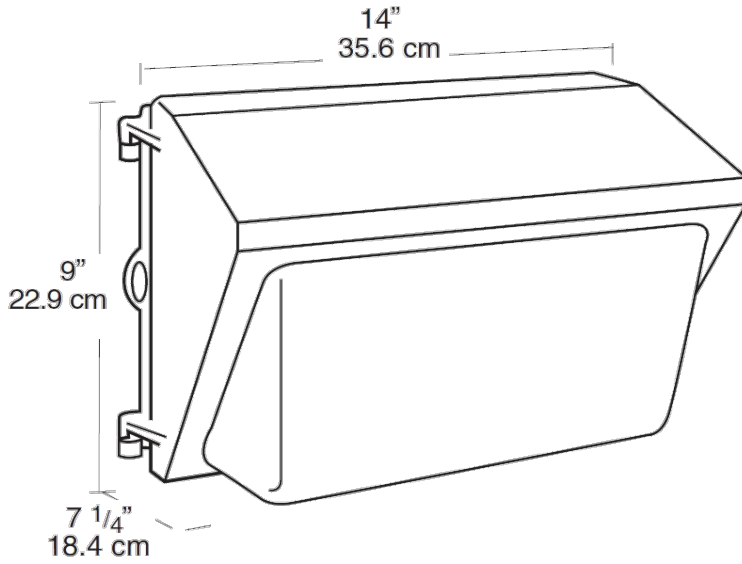
#### Trade Agreements Act Compliant:

This product is a COTS item manufactured in the United States, and is compliant with the Trade Agreements Act.

#### GSA Schedule:

Suitable in accordance with FAR Subpart 25.4.

## Dimensions



## Features

- Precision die cast aluminum housing with durable polyester powder coating
- Tempered Glass Refractor
- Drilling template for easy box mounting
- Silicone gasket remains in place during relamping
- Top, side and back conduit openings
- Long life lamp included