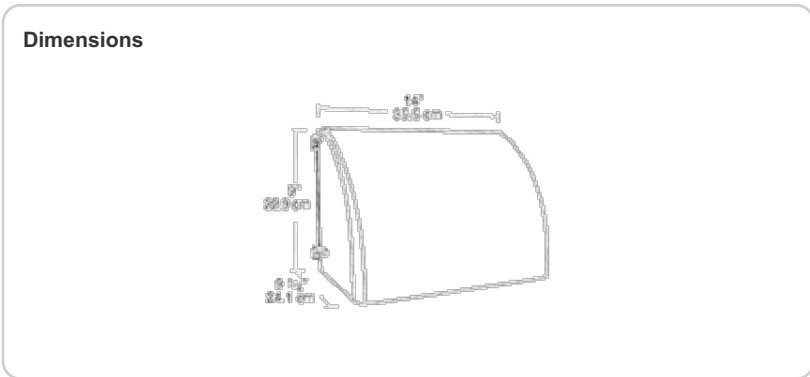


<b>Project:</b>	<b>Type:</b>
<b>Prepared By:</b>	<b>Date:</b>

Lamp Info		Ballast Info	
Type:	26W Triple	Type:	Elec HPF QT
Watts:	26W	120V:	0.24A
Shape/Size:	N/A	208V:	0.2A
Base:	N/A	240V:	0.18A
ANSI:	N/A	277V:	0.11A
Hours:	12,000	Input Watts:	29W
Lamp Lumens:	1,800	Efficiency:	90%
Efficacy:	62 LPW		

### Technical Specifications

<p><b>Listings</b></p> <p><b>UL Listing:</b> Suitable for wet locations. HID fixtures can be wired with 90°C supply wiring if supply wires are routed 3" away from ballast.</p> <p><b>Dark Sky Approved:</b> The International Dark Sky Association has approved this product as a full cutoff, fully shielded luminaire.</p> <p><b>Construction</b></p> <p><b>Housing:</b> Die cast aluminum, 1/2" NPS tapped holes top, both sides and back for conduit or photocontrol. Hinged refractor frame. Continuous silicone rubber gasket.</p> <p><b>Reflector:</b> Specular anodized aluminum, removable for installation. Symmetrical light pattern maximizes distance between fixtures.</p> <p><b>Cutoff Lens:</b> Tempered glass.</p>	<p><b>Finish:</b> Our environmentally friendly polyester powder coatings are formulated for high-durability and long-lasting color, and contains no VOC or toxic heavy metals.</p> <p><b>For use on LEED Buildings:</b> IDA Dark Sky Approval means that this fixture can be used to achieve LEED Credits for Light Pollution Reduction.</p> <p><b>Optical</b></p> <p><b>Refractor:</b> Prismatic optics designed to minimize glare and throw light down and out. Heat resistant borosilicate glass.</p> <p><b>Other</b></p> <p><b>Country of Origin:</b> Designed by RAB in New Jersey and assembled in the USA by RAB's IBEW Local 3 workers.</p> <p><b>Buy American Act Compliant:</b> This product is a COTS item manufactured in the United States, and is compliant with the Buy American Act.</p>	<p><b>Recovery Act (ARRA) Compliant:</b> This product complies with the 52.225-21 "Required Use of American Iron, Steel, and Manufactured Goods-- Buy American Act-- Construction Materials (October 2010).</p> <p><b>Trade Agreements Act Compliant:</b> This product is a COTS item manufactured in the United States, and is compliant with the Trade Agreements Act.</p> <p><b>GSA Schedule:</b> Suitable in accordance with FAR Subpart 25.4.</p>
--	--	--



- ### Features
- Tempered Glass Lens
  - Drilling template for easy box mounting
  - Silicone gasket remains in place during relamping
  - Top, side and back conduit openings
  - Full cutoff glare shield for friendly lighting
  - Long life lamp included