



<b>Project:</b>	<b>Type:</b>
<b>Prepared By:</b>	<b>Date:</b>

Lamp Info		Ballast Info	
Type:	2-42W Triple	Type:	Elec HPF QT
Watts:	84W	120V:	0.78A
Shape/Size:	N/A	208V:	0.5A
Base:	N/A	240V:	0.5A
ANSI:	N/A	277V:	0.33A
Hours:	12,000	Input Watts:	93W
Lamp Lumens:	6,400	Efficiency:	90%
Efficacy:	69 LPW		

**Technical Specifications**

**Listings**

**UL Listing:**

Suitable for wet locations. HID fixtures can be wired with 90°C supply wiring if supply wires are routed 3" away from ballast.

**Construction**

**Housing:**

Die cast aluminum, 1/2" NPS tapped holes top, both sides and back for conduit or photocontrol. Hinged refractor frame. Continuous silicone rubber gasket.

**Reflector:**

Specular anodized aluminum, removable for installation. Symmetrical light pattern maximizes distance between fixtures.

**Cutoff Lens:**

Tempered glass.

**Finish:**

Our environmentally friendly polyester powder coatings are formulated for high-durability and long-lasting color, and contains no VOC or toxic heavy metals.

**Ballast Minimum Starting Temperature:**

0°F.

**Optical**

**Refractor:**

Prismatic optics designed to minimize glare and throw light down and out. Heat resistant borosilicate glass.

**Other**

**Country of Origin:**

Designed by RAB in New Jersey and assembled in the USA by RAB's IBEW Local 3 workers.

**Buy American Act Compliant:**

This product is a COTS item manufactured in the United States, and is compliant with the Buy American Act.

**Recovery Act (ARRA) Compliant:**

This product complies with the 52.225-21 "Required Use of American Iron, Steel, and Manufactured Goods-- Buy American Act-- Construction Materials (October 2010).

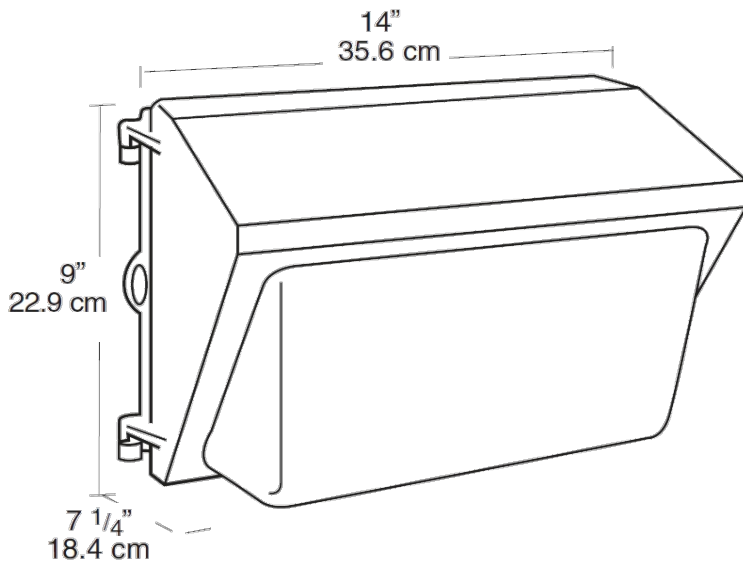
**Trade Agreements Act Compliant:**

This product is a COTS item manufactured in the United States, and is compliant with the Trade Agreements Act.

**GSA Schedule:**

Suitable in accordance with FAR Subpart 25.4.

**Dimensions**



**Features**

- Precision die cast aluminum housing with durable polyester powder coating
- Tempered Glass Refractor
- Drilling template for easy box mounting
- Silicone gasket remains in place during relamping
- Top, side and back conduit openings
- Long life lamp included