



Mid sized wallpack with emergency battery Backup and glass lens. All aluminum precision die cast construction with tempered glass refractor.

Color: Bronze

Weight: 19.6 lbs

|                     |              |
|---------------------|--------------|
| <b>Project:</b>     | <b>Type:</b> |
| <b>Prepared By:</b> | <b>Date:</b> |

| Lamp Info    |            | Ballast Info |             |
|--------------|------------|--------------|-------------|
| Type:        | 32w Triple | Type:        | Elec HPF QT |
| Watts:       | 32W        | 120V:        | 0.31A       |
| Shape/Size:  | N/A        | 208V:        | N/A         |
| Base:        | N/A        | 240V:        | N/A         |
| ANSI:        | N/A        | 277V:        | N/A         |
| Hours:       | 12,000     | Input Watts: | 32W         |
| Lamp Lumens: | 2,400      |              |             |
| Efficacy:    | 75 LPW     |              |             |

**Technical Specifications**

**Electrical**

**Emergency Battery Backup:**

Bodine "Coldpak" will operate the CFL lamp for 90 minutes if power fails. Rated -20°C to 55°C. Battery is a maintenance free NiCad with 7 - 10 year life. Wired for 120V.

**Photocell:**

120V Button Photocell Included. Photocell is only compatible with 120V.

**Listings**

**UL Listing:**

Suitable for wet locations. HID fixtures can be wired with 90°C supply wiring if supply wires are routed 3" away from ballast.

**Construction**

**Housing:**

Die cast aluminum, 1/2" NPS tapped holes top, both sides and back for conduit or photocontrol. Hinged refractor frame. Continuous silicone rubber gasket.

**Reflector:**

Specular anodized aluminum, removable for installation. Symmetrical light pattern maximizes distance between fixtures.

**Cutoff Lens:**

Tempered glass.

**Finish:**

Our environmentally friendly polyester powder coatings are formulated for high-durability and long-lasting color, and contains no VOC or toxic heavy metals.

**Optical**

**Refractor:**

Prismatic optics designed to minimize glare and throw light down and out. Heat resistant borosilicate glass.

**Other**

**Country of Origin:**

Designed by RAB in New Jersey and assembled in the USA by RAB's IBEW Local 3 workers.

**Buy American Act Compliant:**

This product is a COTS item manufactured in the United States, and is compliant with the Buy American Act.

**Recovery Act (ARRA) Compliant:**

This product complies with the 52.225-21 "Required Use of American Iron, Steel, and Manufactured Goods-- Buy American Act-- Construction Materials (October 2010).

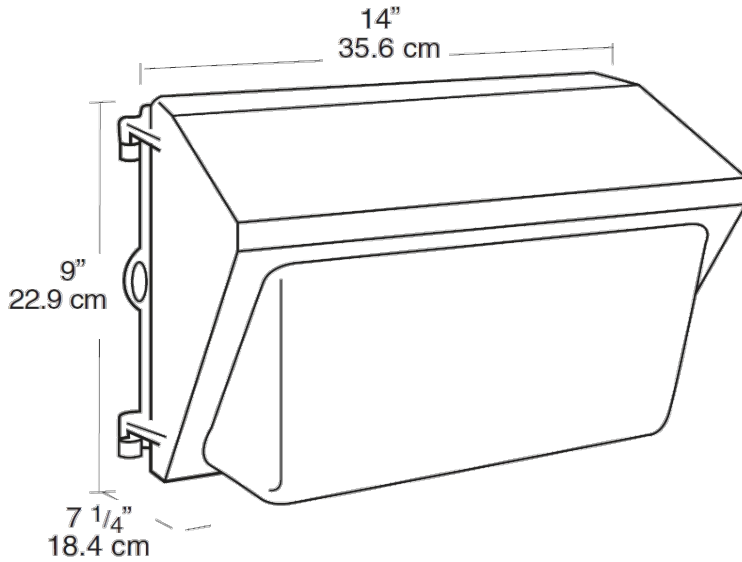
**Trade Agreements Act Compliant:**

This product is a COTS item manufactured in the United States, and is compliant with the Trade Agreements Act.

**GSA Schedule:**

Suitable in accordance with FAR Subpart 25.4.

## Dimensions



## Features

- Emergency battery backup meets NEC requirement
- Test button for required maintenance checks
- Indicator light illuminates when charging
- Maintenance free NiCad battery has 7-10 year life
- Hinged door frame opens and remains captive for easy relamping
- Top, side and back conduit openings
- Long life lamp included