



Wallpack with cutoff glare shield. All aluminum precision die cast construction with tempered glass lens. 30°. cutoff strip included. Lamp supplied.

Color: White

Weight: 13.4 lbs

Project:

Type:

Prepared By:

Date:

Lamp Info

Type: ED17
 Watts: 100W
 Shape/Size: N/A
 Base: N/A
 ANSI: N/A
 Hours: 24,000
 Lamp Lumens: 9,500
 Efficacy: 83 LPW

Ballast Info

Type: R-NPF 120V
 Watts: 3.1/2.1A
 208V: N/A
 240V: N/A
 277V: N/A
 Input Watts: 115W
 Efficiency: 87%

Technical Specifications

Electrical

Photocell:

120V Button Photocell Included. Photocell is only compatible with 120V.

Listings

UL Listing:

Suitable for wet locations. HID fixtures can be wired with 90°C supply wiring if supply wires are routed 3" away from ballast.

Construction

Housing:

Die cast aluminum, 1/2" NPS tapped holes top, both sides and back for conduit or photocontrol. Hinged refractor frame. Continuous silicone rubber gasket.

Reflector:

Specular anodized aluminum, removable for installation. Symmetrical light pattern maximizes distance between fixtures.

Cutoff Lens:

Tempered glass.

Finish:

Our environmentally friendly polyester powder coatings are formulated for high-durability and long-lasting color, and contains no VOC or toxic heavy metals.

Optical

Refractor:

Prismatic optics designed to minimize glare and throw light down and out. Heat resistant borosilicate glass.

Other

Buy American Act Compliant:

This product is a COTS item manufactured in the United States, and is compliant with the Buy American Act.

Recovery Act (ARRA) Compliant:

This product complies with the 52.225-21 "Required Use of American Iron, Steel, and Manufactured Goods-- Buy American Act-- Construction Materials (October 2010).

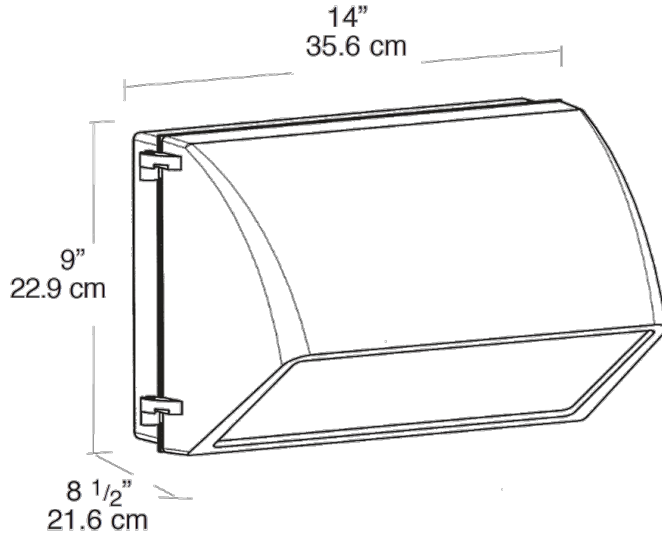
Trade Agreements Act Compliant:

This product is a COTS item manufactured in the United States, and is compliant with the Trade Agreements Act.

GSA Schedule:

Suitable in accordance with FAR Subpart 25.4.

Dimensions



Features

- Precision die cast aluminum housing with durable polyester powder coating
- Tempered Glass Refractor and Tempered Glass Lens
- Drilling template for easy box mounting
- Silicone gasket remains in place during relamping
- Top, side and back conduit openings
- Cutoff Glare Shield for Friendly Lighting
- Long life lamp included