



Compact Wallpack. UV stabilized, vandal resistant prismatic polycarbonate refractor. Lamp supplied.

Color: Bronze

Weight: 7.7 lbs

|                     |              |
|---------------------|--------------|
| <b>Project:</b>     | <b>Type:</b> |
| <b>Prepared By:</b> | <b>Date:</b> |

| Lamp Info    |        | Ballast Info |            |
|--------------|--------|--------------|------------|
| Type:        | ED17   | Type:        | R-NPF 120V |
| Watts:       | 100W   | 120V:        | 3.0/2.5A   |
| Shape/Size:  | N/A    | 208V:        | N/A        |
| Base:        | N/A    | 240V:        | N/A        |
| ANSI:        | N/A    | 277V:        | N/A        |
| Hours:       | 24,000 | Input Watts: | 115W       |
| Lamp Lumens: | 9,500  | Efficiency:  | 87%        |
| Efficacy:    | 83 LPW |              |            |

### Technical Specifications

#### Listings

##### UL Listing:

Suitable for wet locations. HID fixtures can be wired with 90°C supply wiring if supply wires are routed 3" away from the ballast.

#### Construction

##### Housing:

Die cast aluminum, 1/2" NPS tapped top, both sides and back for conduit or photocontrol. Hinged refractor. Continuous one piece silicone rubber gasket.

##### Reflector:

Semi-Specular anodized aluminum, removable for installation. Symmetrical light pattern maximizes distance between fixtures.

#### Finish:

Our environmentally friendly polyester powder coatings are formulated for high-durability and long-lasting color, and contains no VOC or toxic heavy metals.

#### Conduit Openings:

Top, side and back.

#### Template:

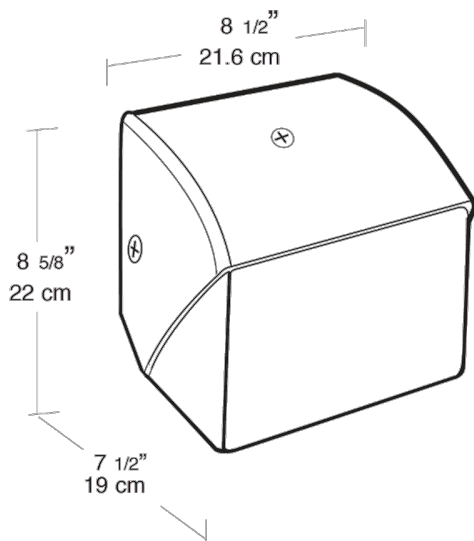
Drilling template for easy wall box mounting.

#### Other

##### Patents:

Pat. D440,683.

### Dimensions



### Features

- Precision die cast aluminum housing with durable polyester powder coating
- Easy access conduit openings & ballasts for fast internal wiring
- Long life lamp included
- Silicone gasket remains in place during relamping
- Cutoff glare shield for "friendly" lighting
- Hinged door swings open and remains captive for easy relamping