



Affordable 30W LED wallpack with traditional look. 100,000 hour L70 lifespan. 5-Year Warranty.

Color: Bronze

Weight: 4.4 lbs

|                     |              |
|---------------------|--------------|
| <b>Project:</b>     | <b>Type:</b> |
| <b>Prepared By:</b> | <b>Date:</b> |

| Driver Info  |                  | LED Info        |        |
|--------------|------------------|-----------------|--------|
| Type:        | Constant Current | Watts:          | 30W    |
| 120V:        | N/A              | Color Temp:     | 5000K  |
| 208V:        | 0.16A            | Color Accuracy: | 83 CRI |
| 240V:        | 0.14A            | L70 Lifespan:   | 100000 |
| 277V:        | 0.12A            | Lumens:         | 3,060  |
| Input Watts: | 32W              | Efficacy:       | 96 LPW |
| Efficiency:  | 94%              |                 |        |

## Technical Specifications

### Listings

#### UL Listing:

Suitable for wet locations. Wall mount only.

#### IESNA LM-79 & LM-80 Testing:

RAB LED luminaires have been tested by an independent laboratory in accordance with IESNA LM-79 and LM-80, and have received the Department of Energy "Lighting Facts" label.

#### DLC Listed:

This product is on the Design Lights Consortium (DLC) Qualified Products List and is eligible for rebates from DLC Member Utilities.

DLC Product Code: PFNUS358

### Electrical

#### Driver:

Constant Current, Class 2, 700mA, 50/60 Hz. 100 - 277V, 4kV surge protection

#### Power Factor:

91.1% at 277V

#### THD:

19.7% at 277V

#### Photocell:

277V Button Photocell Included. Photocell is compatible with 208V-277V.

### Optical

#### BUG Rating:

B1 U3 G3

### Construction

#### Thermal Management:

Superior thermal management with die-cast aluminum heatsink

#### Maximum Ambient Temperature:

Suitable for use in 40°C (104°F) ambient temperatures

#### Cold Weather Starting:

The minimum starting temperature is -40°C/-40°F

#### Housing:

Precision die-cast aluminum housing.

#### Mounting:

Housing has three (3) conduit entry points and knockout pattern for junction box or direct wall mounting. Hinged door for easy re-assembly.

#### Lens:

High-impact, prismatic, UV-stabilized polycarbonate refractor lens

#### Reflector:

High-gloss white aluminum

#### Gaskets:

High-temperature silicone gaskets.

#### Finish:

Our environmentally friendly polyester powder coatings are formulated for high-durability and long-lasting color, and contains no VOC or toxic heavy metals.

#### Green Technology:

Mercury and UV free. RoHS compliant components. Polyester powder coat finish formulated without the use of VOC or toxic heavy metals.

### LED Characteristics

#### Color Stability:

LED color temperature is warranted to shift no more than 200K in CCT over a 5 year period.

#### Color Uniformity:

RAB's range of CCT (Correlated Color Temperature) follows the guidelines of the American National Standard for Specifications for the Chromaticity of Solid State Lighting (SSL) Products, ANSI C78.377-2011.

### Other

#### Warranty:

RAB warrants that our LED products will be free from defects in materials and workmanship for a period of five (5) years from the date of delivery to the end user, including coverage of light output, color stability, driver performance and fixture finish. See our full warranty

#### Country of Origin:

Designed by RAB in New Jersey and assembled in the USA by RAB's IBEW Local 3 workers.

#### Buy American Act Compliant:

This product is a COTS item manufactured in the United States, and is compliant with the Buy American Act.

#### Recovery Act (ARRA) Compliant:

This product complies with the 52.225-21 "Required Use of American Iron, Steel, and Manufactured Goods-- Buy American Act-- Construction Materials (October 2010).

#### Trade Agreements Act Compliant:

This product is a COTS item manufactured in the United States, and is compliant with the Trade Agreements Act.

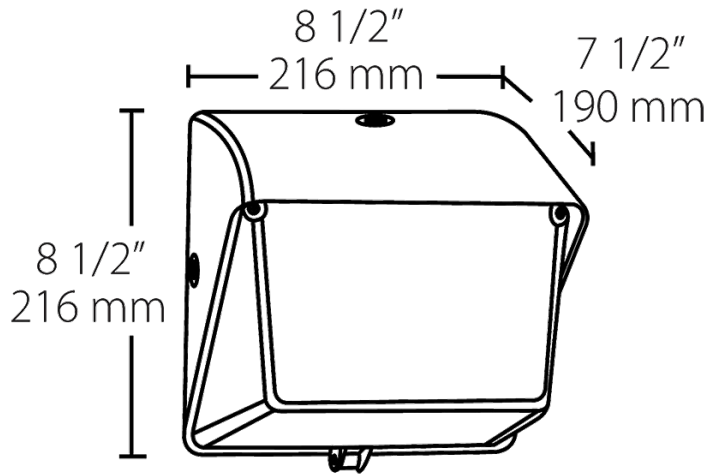
#### GSA Schedule:

Suitable in accordance with FAR Subpart 25.4.

# WP1LED30/PC2



## Dimensions



## Features

- Covers footprint of traditional HID wallpacks
- WP1LED replaces up to 100W MH
- 100,000-Hour LED lifespan

## Ordering Matrix

| Family | Watts    | Color Temp  | Finish                      | Voltage                         | Photocell   |
|--------|----------|---|-----------------------------|---------------------------------|---|
| WP1LED | 30       |   |                             |                                 | /PC2  |
|        | 30 = 30W | Blank = 5000K (Cool)<br>Y = 3000K (Warm)<br>N = 4000K (Neutral) | Blank = Bronze<br>W = White | Blank = 120-277V<br>/480 = 480V | /PC = 120V Button<br>/PCS = 120V Swivel<br>/PC2 = 277V Button<br>/PCS2 = 277V Swivel<br>/PCS4 = 480V Swivel |