



Fully shielded, Full Cutoff compact Wallpack for higher Wattages! 150W HPS & 125W QT P.S. MH. Full Cutoff optics with flat tempered glass lens. Cap/Ignitor cradle and EZ mount knockouts for easy wiring. Lamp supplied.

Color: Bronze

Weight: 10.2 lbs

| | |
|---------------------|--------------|
| Project: | Type: |
| Prepared By: | Date: |

| Lamp Info | | Ballast Info | |
|--------------|--------|--------------|-----------|
| Type: | ED17 | Type: | HX-HPF QT |
| Watts: | 50W | 120V: | .6/.6A |
| Shape/Size: | N/A | 208V: | N/A |
| Base: | N/A | 240V: | N/A |
| ANSI: | N/A | 277V: | N/A |
| Hours: | 10,000 | Input Watts: | 68W |
| Lamp Lumens: | 3,400 | Efficiency: | 74% |
| Efficacy: | 50 LPW | | |

Technical Specifications

Electrical

Photocell:

120V Button Photocell Included. Photocell is only compatible with 120V.

Quad Tap:

Fixture works with 120, 208, 240, and 277 volts.

Listings

UL Listing:

Suitable for wet locations. HID fixtures can be wired with 90°C supply wiring if supply wires are routed 3" away from the ballast.

EISA 2007 Compliant:

This product complies with the new law for metal halide ballast efficiency. This law goes into effect January 1st, 2008. Pulse Start offers Longer Lamp Life, Faster Startup and Faster Restrike.

Dark Sky Approved:

The International Dark Sky Association has approved this product as a full cutoff, fully shielded luminaire.

Construction

Housing:

Die cast aluminum, 1/2" NPS tapped top, both sides and back for conduit or photocontrol. Hinged refractor. Continuous one piece silicone rubber gasket.

Reflector:

Semi-Specular anodized aluminum, removable for installation. Symmetrical light pattern maximizes distance between fixtures.

Finish:

Our environmentally friendly polyester powder coatings are formulated for high-durability and long-lasting color, and contains no VOC or toxic heavy metals.

Conduit Openings:

Top, side, back and bottom.

For use on LEED Buildings:

IDA Dark Sky Approval means that this fixture can be used to achieve LEED Credits for Light Pollution Reduction.

Other

Buy American Act Compliant:

This product is a COTS item manufactured in the United States, and is compliant with the Buy American Act.

Recovery Act (ARRA) Compliant:

This product complies with the 52.225-21 "Required Use of American Iron, Steel, and Manufactured Goods-- Buy American Act-- Construction Materials (October 2010).

Trade Agreements Act Compliant:

This product is a COTS item manufactured in the United States, and is compliant with the Trade Agreements Act.

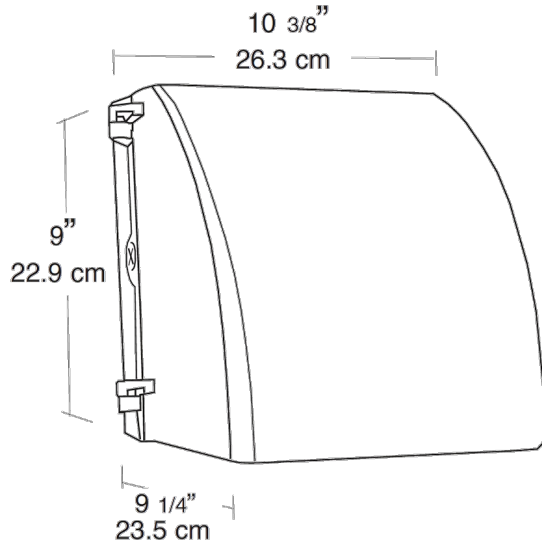
GSA Schedule:

Suitable in accordance with FAR Subpart 25.4.

Patents:

Pat. D561,377.

Dimensions



Features

- Precision die cast aluminum housing with durable polyester powder coating
- Easy access conduit openings & ballasts for fast internal wiring
- Long life lamp included
- Silicone gasket remains in place during relamping
- Cutoff glare shield for "friendly" lighting
- Hinged door swings open and remains captive for easy relamping