



CFL Wallpacks

Color: White

Weight: 5.8 lbs

<b>Project:</b>	<b>Type:</b>
<b>Prepared By:</b>	<b>Date:</b>

Lamp Info		Ballast Info	
Type:	32w Triple	Type:	Elec HPF QT
Watts:	32W	120V:	0.31A
Shape/Size:	N/A	208V:	0.2A
Base:	N/A	240V:	0.2A
ANSI:	N/A	277V:	0.13A
Hours:	12,000	Input Watts:	32W
Lamp Lumens:	2,400		
Efficacy:	75 LPW		

**Technical Specifications**

**Listings**

**UL Listing:**

Suitable for wet locations. HID fixtures can be wired with 90°C supply wiring if supply wires are routed 3" away from the ballast.

**Construction**

**Housing:**

Die cast aluminum, 1/2" NPS tapped top, both sides and back for conduit or photocontrol. Hinged refractor. Continuous one piece silicone rubber gasket.

**Reflector:**

Semi-Specular anodized aluminum, removable for installation. Symmetrical light pattern maximizes distance between fixtures.

**Finish:**

Our environmentally friendly polyester powder coatings are formulated for high-durability and long-lasting color, and contains no VOC or toxic heavy metals.

**Conduit Openings:**

Top, side, and back.

**Template:**

Drilling template for easy wall box mounting.

**Electrical**

**Photocell:**

Button Photocell installed and wired for 120V.

**Other**

**Buy American Act Compliant:**

This product is a COTS item manufactured in the United States, and is compliant with the Buy American Act.

**Recovery Act (ARRA) Compliant:**

This product complies with the 52.225-21 "Required Use of American Iron, Steel, and Manufactured Goods-- Buy American Act-- Construction Materials (October 2010).

**Trade Agreements Act Compliant:**

This product is a COTS item manufactured in the United States, and is compliant with the Trade Agreements Act.

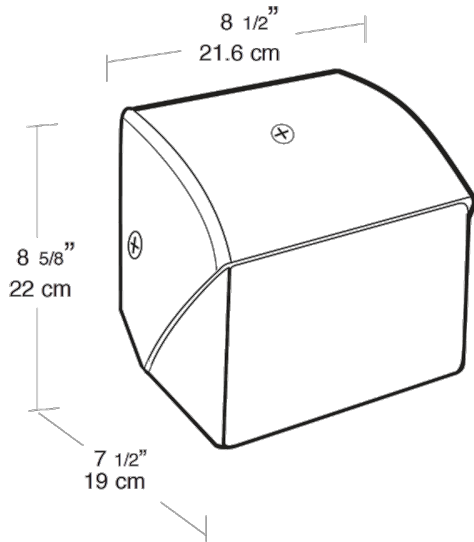
**GSA Schedule:**

Suitable in accordance with FAR Subpart 25.4.

**Patents:**

Pat. D440,683.

## Dimensions



## Features

- Silicone gasket remains in place during relamping
- Semi-specular anodized reflector minimizes glare
- Easy access conduit openings & ballasts for fast internal wiring
- Template for easy wall box mounting
- Glass lens won't yellow
- Photocell mounting hole
- Top, sides and back conduit openings
- Precision die cast aluminum housing with durable bronze or white polyester powder coat finish
- Long life lamp supplied