



Cutoff Wallpack with glare shield for 35 - 100W HPS, 50 - 100W MH (Pulse Start Standard) or 42W CFL. Lens is flat, tempered glass. 30° cutoff strip included. Lamp supplied.

Color: White

Weight: 5.7 lbs

**Project:**

**Type:**

**Prepared By:**

**Date:**

**Lamp Info**

Type: 42W Triple  
 Watts: 42W  
 Shape/Size: N/A  
 Base: N/A  
 ANSI: N/A  
 Hours: 12,000  
 Lamp Lumens: 3,200  
 Efficacy: 70 LPW

**Ballast Info**

Type: Elec HPF QT  
 120V: 0.38A  
 208V: N/A  
 240V: N/A  
 277V: N/A  
 Input Watts: 46W  
 Efficiency: 91%

## Technical Specifications

**Electrical**

**Photocell:**

120V Button Photocell Included. Photocell is only compatible with 120V.

**Listings**

**UL Listing:**

Suitable for wet locations. HID fixtures can be wired with 90°C supply wiring if supply wires are routed 3" away from the ballast.

**Construction**

**Housing:**

Die cast aluminum, 1/2" NPS tapped top, both sides and back for conduit or photocontrol. Hinged refractor. Continuous one piece silicone rubber gasket.

**Reflector:**

Semi-Specular anodized aluminum, removable for installation. Symmetrical light pattern maximizes distance between fixtures.

**Finish:**

Our environmentally friendly polyester powder coatings are formulated for high-durability and long-lasting color, and contains no VOC or toxic heavy metals.

**Conduit Openings:**

Top, side, and back.

**Template:**

Drilling template for easy wall box mounting.

**Ballast Minimum Starting Temperature:**

0°F.

**Other**

**Patents:**

Pat. D440,683.

**Country of Origin:**

Designed by RAB in New Jersey and assembled in the USA by RAB's IBEW Local 3 workers.

**Buy American Act Compliant:**

This product is a COTS item manufactured in the United States, and is compliant with the Buy American Act.

**Recovery Act (ARRA) Compliant:**

This product complies with the 52.225-21 "Required Use of American Iron, Steel, and Manufactured Goods-- Buy American Act-- Construction Materials (October 2010).

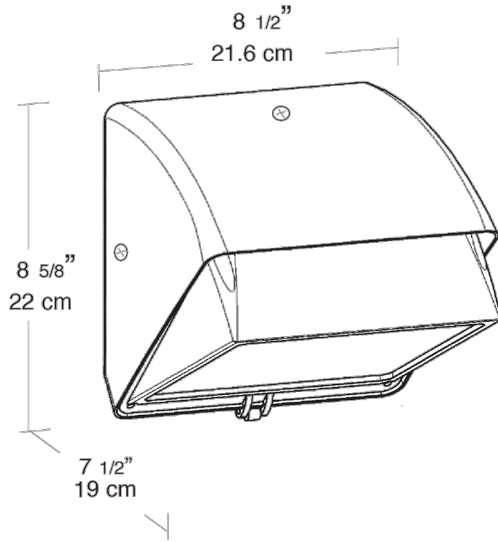
**Trade Agreements Act Compliant:**

This product is a COTS item manufactured in the United States, and is compliant with the Trade Agreements Act.

**GSA Schedule:**

Suitable in accordance with FAR Subpart 25.4.

## Dimensions



## Features

- Precision die cast aluminum housing with durable polyester powder coating
- Easy access conduit openings & ballasts for fast internal wiring
- Long life lamp included
- Silicone gasket remains in place during relamping
- Cutoff glare shield for "friendly" lighting
- Hinged door swings open and remains captive for easy relamping