



18 Watt LED wall sconce. Die-cast aluminum wall bracket with five 1/2" conduit openings with plugs.

Color: White

Weight: 13.1 lbs

Project:	Type:
Prepared By:	Date:

Driver Info		LED Info	
Type:	Constant Current	Watts:	18W
120V:	0.24A	Color Temp:	4000K
208V:	0.18A	Color Accuracy:	85 CRI
240V:	0.15A	L70 Lifespan:	100000
277V:	0.12A	Lumens:	818
Input Watts:	22W	Efficacy:	37 LPW
Efficiency:	82%		

Technical Specifications

Listings

UL Listing:

Suitable for wet locations. Suitable for mounting within 4 ft. (1.2m) of the ground.

IESNA LM-79 & IESNA LM-80 Testing:

RAB LED fixtures have been tested by an independent laboratory in accordance with IESNA LM-79 and 80, and have received the Department of Energy "Lighting Facts" label.

LED Characteristics

LEDs:

6W multi-chip, long-life LEDs

Lifespan:

100,000-hour LED lifespan based on IES LM-80 results and TM-21 calculations

Color Consistency:

3-step MacAdam Ellipse binning to achieve consistent fixture-to-fixture color.

Color Stability:

LED color temperature is warranted to shift no more than 200K in CCT over a 5 year period.

Color Uniformity:

RAB's range of CCT (Correlated Color Temperature) follows the guidelines of the American National Standard for Specifications for the Chromaticity of Solid State Lighting (SSL) Products, ANSI C78.377-2011

Electrical

Driver:

Constant Current, Class 2, 100-277V, 50/60 Hz, 6kV Surge Protection, 700mA, 100-277VAC 0.04 A.

THD:

16.3% at 120V, 23.2% at 277V

Construction

Ambient Temperature:

Suitable for use in 40°C (104°F) ambient temperatures

Cold Weather Starting:

Minimum starting temperature is -40°F/-40°C

Thermal Management:

Cast aluminum Thermal Management system for optimal heat sinking. The BLED is designed for cool operation, maximum efficiency and long life by minimizing LED junction temperature.

Housing:

Die-cast aluminum with extruded aluminum bollard shaft

Lens:

Clear, vandal-resistant polycarbonate

Reflector:

Specular polycarbonate

Gaskets:

High-temperature silicone gaskets seal out moisture gaskets seal out moisture

Mounting:

Die-cast aluminum wall bracket with five (5) 1/2" conduit openings with plugs

Gaskets:

High-temperature silicone gaskets seal out moisture

Finish:

Our environmentally friendly polyester powder coatings are formulated for high-durability and long-lasting color, and contain no VOC or toxic heavy metals.

Green Technology:

Mercury and UV free. RoHS compliant components. Polyester powder coat finish formulated without the use of VOC or toxic heavy metals.

Other

California Title:

See WBLED18/PCS for a 2013 California Title 24 compliant model.

Patents:

The design of WBLED is protected by patents pending in US, Canada, China, Taiwan and Mexico.

Warranty:

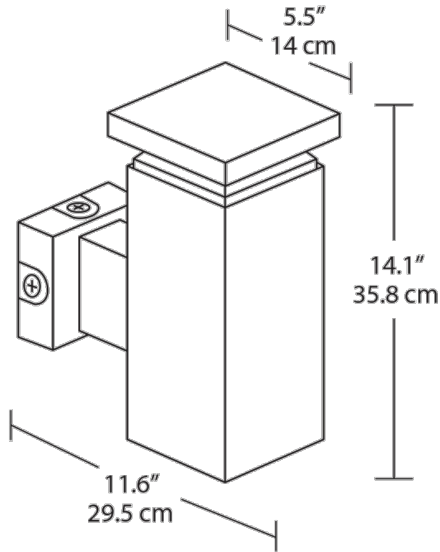
RAB warrants that our LED products will be free from defects in materials and workmanship for a period of five (5) years from the date of delivery to the end user, including coverage of light output, color stability, driver performance and fixture finish.

Optical

BUG Rating:

B1 U1 G1

Dimensions



Features

- 18 Watt LED architectural wall sconce
- Companion fixture to RAB BLED Bollard
- Durable construction and vandal-resistant polycarbonate lens
- 100,000-hour LED lifespan

Ordering Matrix

Family	Shape	Watts	Color Temp	Finish
WBLED		18	N	W
	Blank = Square R = Round	18 = 18W	Blank = 5000K (Cool) Y = 3000K (Warm) N = 4000K (Neutral)	Blank = Bronze W = White