



Ultra-economy wall pack with traditional look.

Color: Bronze

Weight: 6.7 lbs

**Project:**

**Type:**

**Prepared By:**

**Date:**

### Driver Info

Type	Constant Current
120V	0.28A
208V	0.17A
240V	0.15A
277V	0.13A
Input Watts	33.6W
Efficiency	98%

### LED Info

Watts	33W
Color Temp	3000K (Warm)
Color Accuracy	83 CRI
L70 Lifespan	50,000
Lumens	3,529
Efficacy	105 LPW

## Technical Specifications

### Listings

#### UL Listing:

Suitable for wet locations. Suitable for mounting within 4 feet of the ground.

#### DLC Listed:

This product is on the Design Lights Consortium (DLC) Qualified Products List and is eligible for rebates from DLC Member Utilities. DLC Product Code: P80XBP0Y

### Electrical

#### Dimming Driver:

Driver includes dimming control wiring for 0-10V dimming systems. Requires separate 0-10V DC dimming circuit. Dims as low as 10%.

#### Photocell:

120-277V Button Photocell Included. Photocell is compatible with 120V-277V.

#### Driver:

Constant Current, Class 2, 120-277V, 50/60Hz, 120V: 0.28A, 208V: 0.17A, 240V: 0.15A, 277V: 0.13A

#### THD:

6.7% at 120V, 4.7% at 277V

#### Power Factor:

99.4% at 120V, 93.7% at 277V

### LED Characteristics

#### Lifespan:

50,000-hour LED lifespan based on IES LM-80 results and TM-21 calculations

#### Note:

All values are typical (tolerance +/- 10%)

#### LEDs:

Long-life, high-efficacy surface mount LEDs

#### Color Uniformity:

RAB's range of CCT (Correlated Color Temperature) follows the guidelines of the American National Standard for Specifications for the Chromaticity of Solid State Lighting (SSL) Products, ANSI C78.377-2017.

### Construction

#### Housing:

Die-cast aluminum

#### Lens:

Glass

#### Reflector:

Specular aluminum

### Cold Weather Starting:

Minimum starting temperature is -40°C (-40°F)

### Maximum Ambient Temperature:

Suitable for use in 40°C (104°F)

### Mounting:

Die-cast backbox with four (4) conduit entry points and knockout pattern for junction box or direct wall mounting. Hinged door for easy re-assembly.

### Green Technology:

Mercury and UV free. RoHS-compliant components.

### Finish:

Formulated for high durability and long-lasting color

## Technical Specifications (continued)

### Other

#### Replacement:

Replaces up to 100W Metal Halide

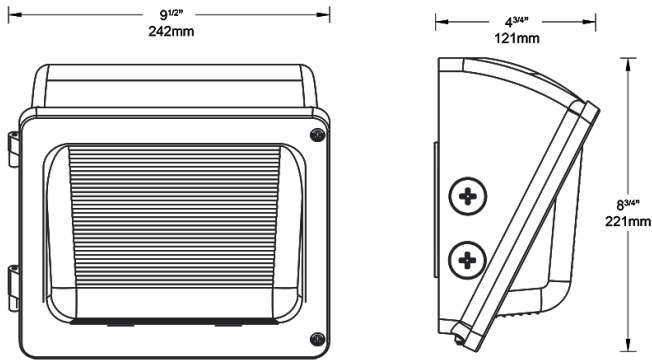
### 5 Yr Limited Warranty:

The RAB 5-year, limited warranty covers light output, driver performance and paint finish. RAB's warranty is subject to all terms and conditions found at [rablighting.com/warranty](http://rablighting.com/warranty).

### Buy American Act Compliance:

RAB values USA manufacturing! Upon request, RAB may be able to manufacture this product to be compliant with the Buy American Act (BAA). Please contact customer service to request a quote for the product to be made BAA compliant.

## Dimensions



## Features

- Economy-grade wall pack with traditional look
- Covers footprint of small HID wall packs
- Available in various lumen packages
- Integrated 0-10V dimming
- 50,000-Hour LED lifespan

## Ordering Matrix

Family	Lumen Package	CRI/CCT	Voltage	Options
W34	35L	830		/PCU
	30L = 3100lm, 30W 35L = 3600lm, 33W	Blank = 80 CRI / 5000K 830 = 80 CRI / 3000K	Blank = 120-277V, 0-10V Dimming /480 = 480V, 0-10V Dimming	Blank = No Option /PCU = 120-277V Button Photocell /MVS = 120-277V Microwave Sensor /LC = 120-277V Lightcloud® Control