



High performance LED Vaporproof fixture. A classic design with cutting edge LED technology. Comes with die cast guard and frosted globe.

Color: Natural

Weight: 4.4 lbs

<b>Project:</b>	<b>Type:</b>
<b>Prepared By:</b>	<b>Date:</b>

Driver Info		LED Info	
Type:	Constant Current	Watts:	13W
120V:	N/A	Color Temp:	4000K
208V:	N/A	Color Accuracy:	88 CRI
240V:	N/A	L70 Lifespan:	100000
277V:	0.06A	Lumens:	595
Input Watts:	15W	Efficacy:	39 LPW
Efficiency:	86%		

## Technical Specifications

### Listings

#### UL Listing:

UL Listed Suitable for Wet locations only with outer globe and as a Downlight.

#### IESNA LM-79 & IESNA LM-80 Testing:

RAB LED luminaires have been tested by an independent laboratory in accordance with IESNA LM-79 and 80, and have received the Department of Energy "Lighting Facts" label.

### Electrical

#### Photocell:

277V Swivel Photocell Included. Photocell is compatible with 208V-277V.

#### Driver:

Multi-chip single 13W high output long life LED Driver. Constant Current, 100V-277V, 50/60 Hz., 100-240VAC. 3-.15 Amps 277VAC. 15 Amps. Will deliver 70% of its initial lumens at 100,000 hours based on LM-80 Tests.

#### Surge Protection:

4kV

### LED Characteristics

#### Lifespan:

100,000-hour LED lifespan based on IES LM-80 results and TM-21 calculations.

#### Color Consistency:

3-step MacAdam Ellipse binning to achieve consistent fixture-to-fixture color.

#### Color Stability:

LED color temperature is warrantied to shift no more than 200K in CCT over a 5 year period.

#### Color Uniformity:

RAB's range of CCT (Correlated color temperature) follows the guidelines of the American National Standard for Specifications for the Chromaticity of Solid State Lighting (SSL) Products, ANSI C38.377-2011.

### Construction

#### Specification:

These specifications are for fixture with Frosted Glass Globe and Die Cast Guard combination. Consult warehouse for different fixture combinations.

#### Globes and Guards:

Vaporproof LEDs are compatible with RAB Globes and Guards.

#### Construction:

Die cast aluminum housing and door. Tether connects back housing halves for safety.

#### Cold Weather Starting:

Minimum starting temperature is -40°F / -40°C.

#### Ambient Temperature:

Suitable for use in 35°C (95°F) ambient temperatures.

#### Housing:

Die cast aluminum housing and driver housing.

#### Mounting:

Three 1/2" NPS conduit entry points.

#### Guard and Globe:

Shot blasted guard with frosted globe.

#### Reflector:

High quality hydroformed semi-specular aluminum.

### Gaskets:

High Temperature Silicone.

### Finish:

Natural shot blasted aluminum.

### Green Technology:

Mercury and UV free. RoHS compliant components. Polyester powder coat finish formulated without the use of VOC or toxic heavy metals.

### Other

#### Thermal Management (Patent Pending):

Die cast aluminum LED housing designed for maximum heat dissipation.

#### Warranty:

RAB warrants that our LED products will be free from defects in materials and workmanship for a period of five (5) years from the date of delivery to the end user, including coverage of light output, color stability, driver performance and fixture finish.

#### Patents:

The VXLED design is protected by Taiwan Patent 01510952 and patents pending in the U.S., Canada, China and Mexico.

#### Buy American Act Compliant:

This product is a COTS item manufactured in the United States, and is compliant with the Buy American Act.

#### Recovery Act (ARRA) Compliant:

This product complies with the 52.225-21 "Required Use of American Iron, Steel, and Manufactured Goods-- Buy American Act-- Construction Materials (October 2010).

## Technical Specifications (continued)

### Other

#### Trade Agreements Act Compliant:

This product is a COTS item manufactured in the United States, and is compliant with the Trade Agreements Act.

### GSA Schedule:

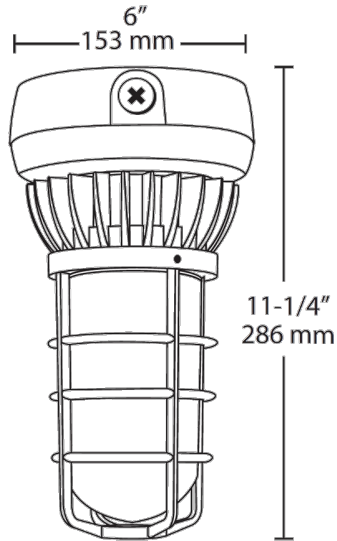
Suitable in accordance with FAR Subpart 25.4.

### Optical

#### BUG Rating:

B0 U3 G1

## Dimensions



## Features

- Vaporproof LED Ceiling Mount
- Superior Thermal Management (Patent Pending)
- All Die-Cast Aluminum Construction
- 100,000 hour life based on LM-80 tests
- Thermal Shock-Resistant Frosted Glass Globe
- Traditional Look, Cutting-Edge Technology
- 5-year LED warranty