



Die cast aluminum wiring box with weatherproof gasket, ground screw, and two sturdy lugs for wall or ceiling mounting.

Color: Natural

Weight: 0.9 lbs

Project:	Type:
Prepared By:	Date:

Technical Specifications

Listings

UL Listing:

Suitable for wet locations.

Other

Box Material:

Precision die cast aluminum.

Country of Origin:

Designed by RAB in New Jersey and assembled in the USA by RAB's IBEW Local 3 workers.

Buy American Act Compliant:

This product is a COTS item manufactured in the United States, and is compliant with the Buy American Act.

Recovery Act (ARRA) Compliant:

This product complies with the 52.225-21 "Required Use of American Iron, Steel, and Manufactured Goods-- Buy American Act-- Construction Materials (October 2010).

Trade Agreements Act Compliant:

This product is a COTS item manufactured in the United States, and is compliant with the Trade Agreements Act.

GSA Schedule:

Suitable in accordance with FAR Subpart 25.4.

Construction

Gasket:

1/8" thick closed cell EPDM Foam for long lasting seal that won't crumple or break.

Screws:

10-24 Stainless steel Round Head Phillips/slotted.

Gasket:

1/8" thick closed cell silicone rubber.

Ground Screw:

10-24 Green corrosion protected steel slotted washer head screw provided in pre-tapped hole

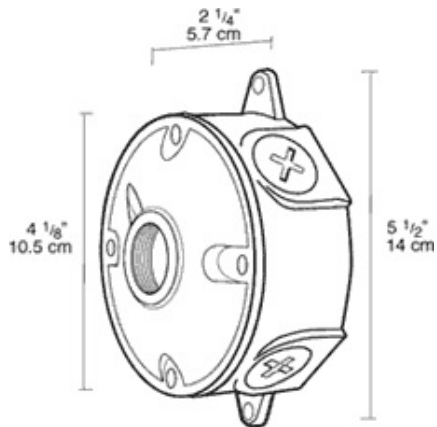
Box Diameter:

4".

Side Hole Thread Size:

3/4".

Dimensions



Features

- Stainless steel screws
- Green hex slotted washer head ground screw in pre-tapped hole
- Heavy die cast aluminum
- Close-up plugs allow Phillips or slotted screwdrivers for easy installation
- 1/8" thick weatherseal gasket is closed cell foam rubber for long lasting seal that won't crumple or break