



Accessorize your LFLED5 Brass with 2" or 3" brass Mighty Post cap or a corrosion proof brass junction box.

Color: Brass

Weight: 2.2 lbs

Project:	Type:
Prepared By:	Date:

Technical Specifications

Listings

UL Listing:

Acceptable for Marine use, Watertight.

Other

Description:

Brass 4" junction box with cover one 1/2" NPS threaded.

Construction

Gaskets:

Heavy-duty corrosion-proof EPDM gasket on rear of box, High temperature silicone gaskets on conduit plugs and faceplate.

Mounting:

Integrated mounting ears eliminate the need to drill through the box.

Housing:

Precision die cast brass housing.

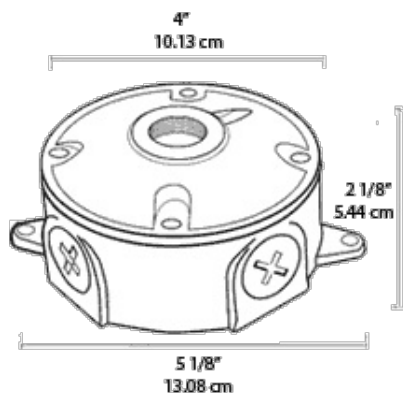
Hardware:

Corrosion-proof brass.

Finish:

Not clear coated so it will naturally patina over time.

Dimensions



Features

- 100% non-rusting, non-corroding brass will naturally patina over time
- 100,000-hour LED lifespan
- 5-Year no-compromise warranty

Ordering Matrix

Family	Size	Cover	Finish
MMCAP			
	2 = 2"	1 = 1 Hole	BR = Brass
	3 = 3"		