



Small cast aluminum housing for 13 and 26 Watt compact fluorescent. Prismatic globe for low glare and even light distribution. Uplight mounted with 1/2" NPS (or 3/4") side and top conduit feed. Specially designed for mounting as an uplight. Lamp supplied.

Color: Natural

Weight: 4.1 lbs

Project:

Type:

Prepared By:

Date:

Lamp Info

Type: 26w Triple
 Watts: 26W
 Shape/Size: N/A
 Base: N/A
 ANSI: N/A
 Hours: 12,000
 Lamp Lumens: 1,800
 Efficacy: 62 LPW

Ballast Info

Type: Elec HPF QT
 120V: 0.24 A
 208V: 0.2A
 240V: 0.18 A
 277V: 0.11 A
 Input Watts: 29W
 Efficiency: 90%

Technical Specifications

Listings

UL Listing:

Suitable for wet locations. Suitable for mounting within 1.2m (4ft) of the ground.

Construction

Globes:

Clear prismatic, heat resistant glass standard. White glass globes available. Colored and clear unbreakable RAB Permoglobes available for CFL only.

Optional Reflectors:

Highly reflective white baked polyester epoxy powder finish over a heavy gauge aluminum base. Reflectors thread onto fixtures.

Construction:

Die cast aluminum with stainless steel screws.

Guard:

One piece die cast aluminum with set screw.

Hub Size:

3/4" Tapped.

Ballast Minimum Starting Temperature:

0°F.

Electrical

Socket:

HID Glazed porcelain 4kv pulse rated with nickel plated screw shell and spring contacts. CFL White thermo plastic with integral clips for lamp retention.

Other

Country of Origin:

Designed by RAB in New Jersey and assembled in the USA by RAB's IBEW Local 3 workers.

Buy American Act Compliant:

This product is a COTS item manufactured in the United States, and is compliant with the Buy American Act.

Recovery Act (ARRA) Compliant:

This product complies with the 52.225-21 "Required Use of American Iron, Steel, and Manufactured Goods-- Buy American Act-- Construction Materials (October 2010).

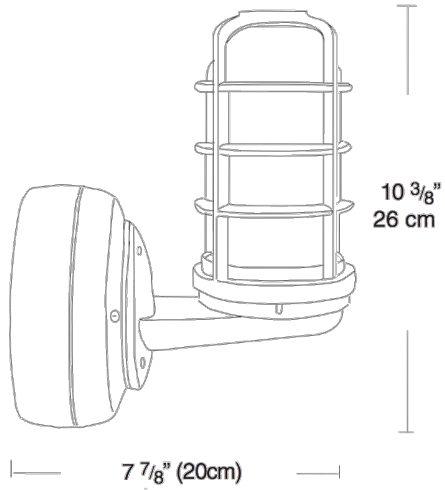
Trade Agreements Act Compliant:

This product is a COTS item manufactured in the United States, and is compliant with the Trade Agreements Act.

GSA Schedule:

Suitable in accordance with FAR Subpart 25.4.

Dimensions



Features

- Specially designed for mounting as an uplight
- Weatherproof ballast box
- Die cast aluminum for superior durability
- All stainless steel hardware
- Set screw keeps guard securely in place
- Clear heat resistant prismatic glass globes standard
- High temperature silicone internal gaskets
- Ballast housing mounts to any junction box