



Small cast aluminum housing for 13 and 26 Watt compact fluorescent. Prismatic globe for low glare and even light distribution. Uplight mounted with 1/2" NPS (or 3/4") side and top conduit feed. Specially designed for mounting as an uplight. Lamp supplied.

Color: Natural

Weight: 4.1 lbs

<b>Project:</b>	<b>Type:</b>
<b>Prepared By:</b>	<b>Date:</b>

Lamp Info		Ballast Info	
Type:	13W Quad	Type:	Elec HPF QT
Watts:	13W	120V:	0.1 A
Shape/Size:	N/A	208V:	0.1A
Base:	N/A	240V:	0.1 A
ANSI:	N/A	277V:	0.06 A
Hours:	10,000	Input Watts:	16W
Lamp Lumens:	900	Efficiency:	81%
Efficacy:	56 LPW		

**Technical Specifications**

**Listings**

**UL Listing:**

Suitable for wet locations. Suitable for mounting within 1.2m (4ft) of the ground.

**Construction**

**Globes:**

Clear prismatic, heat resistant glass standard. White glass globes available. Colored and clear unbreakable RAB Permoglobes available for CFL only.

**Optional Reflectors:**

Highly reflective white baked polyester epoxy powder finish over a heavy gauge aluminum base. Reflectors thread onto fixtures.

**Construction:**

Die cast aluminum with stainless steel screws.

**Guard:**

One piece die cast aluminum with set screw.

**Ballast Minimum Starting Temperature:**

0°F.

**Electrical**

**Socket:**

HID Glazed porcelain 4kv pulse rated with nickel plated screw shell and spring contacts. CFL White thermo plastic with integral clips for lamp retention.

**Optical**

**F13:**

Compact Fluorescent 13W.

**Other**

**Country of Origin:**

Designed by RAB in New Jersey and assembled in the USA by RAB's IBEW Local 3 workers.

**Buy American Act Compliant:**

This product is a COTS item manufactured in the United States, and is compliant with the Buy American Act.

**Recovery Act (ARRA) Compliant:**

This product complies with the 52.225-21 "Required Use of American Iron, Steel, and Manufactured Goods-- Buy American Act-- Construction Materials (October 2010).

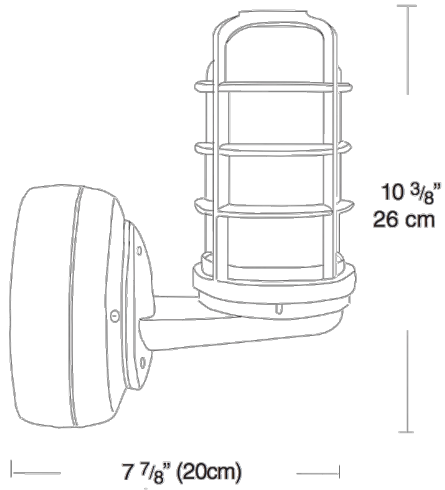
**Trade Agreements Act Compliant:**

This product is a COTS item manufactured in the United States, and is compliant with the Trade Agreements Act.

**GSA Schedule:**

Suitable in accordance with FAR Subpart 25.4.

## Dimensions



## Features

- Specially designed for mounting as an uplight
- Weatherproof ballast box
- Die cast aluminum for superior durability
- All stainless steel hardware
- Set screw keeps guard securely in place
- Clear heat resistant prismatic glass globes standard
- High temperature silicone internal gaskets
- Ballast housing mounts to any junction box