



Small cast aluminum housing for 13 and 26 Watt compact fluorescent. Prismatic globe for low glare and even light distribution. Uplight mounted with 1/2" NPS (or 3/4") side and top conduit feed. Specially designed for mounting as an uplight. Lamp supplied.

Color: Natural

Weight: 3.8 lbs

Project:	Type:
Prepared By:	Date:

Lamp Info		Ballast Info	
Type:	26W Triple	Type:	Elec HPF QT
Watts:	26W	120V:	0.24 A
Shape/Size:	N/A	208V:	0.2A
Base:	N/A	240V:	0.18 A
ANSI:	N/A	277V:	0.11 A
Hours:	12,000	Input Watts:	29W
Lamp Lumens:	1,800	Efficiency:	90%
Efficacy:	62 LPW		

Technical Specifications

Listings

UL Listing:

Suitable for wet locations. Suitable for mounting within 1.2m (4ft) of the ground.

Construction

Globes:

Clear prismatic, heat resistant glass standard. White glass globes available. Colored and clear unbreakable RAB Permoglobes available for CFL only.

Optional Reflectors:

Highly reflective white baked polyester epoxy powder finish over a heavy gauge aluminum base. Reflectors thread onto fixtures.

Construction:

Die cast aluminum with stainless steel screws.

Guard:

One piece die cast aluminum with set screw.

Ballast Minimum Starting Temperature:

0°F.

Electrical

Socket:

HID Glazed porcelain 4kv pulse rated with nickel plated screw shell and spring contacts. CFL White thermo plastic with integral clips for lamp retention.

Other

Country of Origin:

Designed by RAB in New Jersey and assembled in the USA by RAB's IBEW Local 3 workers.

Buy American Act Compliant:

This product is a COTS item manufactured in the United States, and is compliant with the Buy American Act.

Recovery Act (ARRA) Compliant:

This product complies with the 52.225-21 "Required Use of American Iron, Steel, and Manufactured Goods-- Buy American Act-- Construction Materials (October 2010).

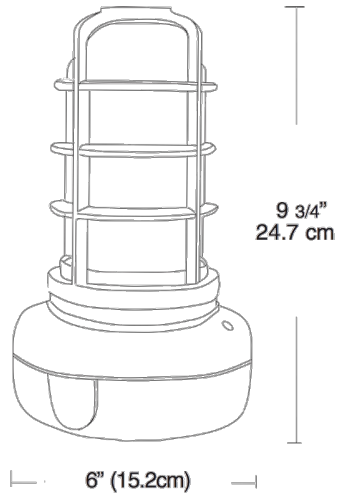
Trade Agreements Act Compliant:

This product is a COTS item manufactured in the United States, and is compliant with the Trade Agreements Act.

GSA Schedule:

Suitable in accordance with FAR Subpart 25.4.

Dimensions



Features

- Specially designed for mounting as an uplight
- Weatherproof ballast box
- Die cast aluminum for superior durability
- All stainless steel hardware
- Set screw keeps guard securely in place
- Clear heat resistant prismatic glass globes standard
- High temperature silicone internal gaskets
- Ballast housing mounts to any junction box