



Entry light in 50 Watt HP. Cast aluminum housing with decorative white glass globe or unbreakable polycarbonate. Bracket fixture mounts to common junction boxes. Photocell models available. Minimum operating temperature 14°F, HPS lamps supplied.

Color: White

Weight: 3.2 lbs

<b>Project:</b>	<b>Type:</b>
<b>Prepared By:</b>	<b>Date:</b>

Lamp Info		Ballast Info	
Type:	ED17	Type:	R-NPF 120V
Watts:	50W	120V:	1.5/1.2A
Shape/Size:	N/A	208V:	N/A
Base:	N/A	240V:	N/A
ANSI:	N/A	277V:	N/A
Hours:	24,000	Input Watts:	62W
Lamp Lumens:	4,000	Efficiency:	81%
Efficacy:	65 LPW		

## Technical Specifications

### Listings

#### UL Listing:

Suitable for wet locations. Suitable for use in dwellings. Suitable for use with 90°C supply wiring. Complies with UL Standard 1598.

### Construction

#### Finish:

Our environmentally friendly polyester powder coatings are formulated for high-durability and long-lasting color, and contains no VOC or toxic heavy metals.

#### Housing:

Die cast aluminum.

#### Globes:

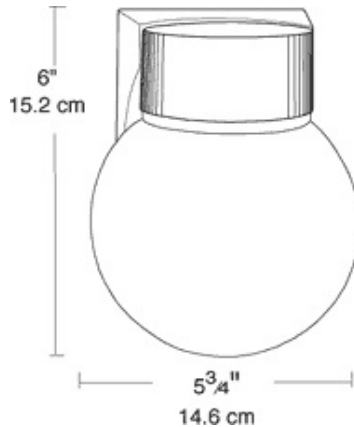
White glass or unbreakable polycarbonate white globes.

### Electrical

#### Socket:

HID Glazed porcelain 4kv pulse rated with nickel plated screw shell and spring contacts. CFL White thermo plastic with integral clips for lamp retention.

## Dimensions



## Features

- Die cast aluminum for superior durability
- Decorative white heat resistant glass or polycarbonate globes available
- High temperature silicone internal gaskets
- Premium porcelain socket
- UL Listed for use with 90°C supply wiring OK for use in dwellings and wet locations