



VAN5 12" x 12" Emergency Battery Backup. 2x 32W CFL or 2x 42W CFL. Available in 120V or 277 volts. Emergency battery operates only one lamp. Lamp supplied.

Color: N/A

Weight: 12.2 lbs

Project:	Type:
Prepared By:	Date:

Lamp Info		Ballast Info	
Type:	2-32W Triple	Type:	Elec HPF QT
Watts:	64W	120V:	N/A
Shape/Size:	N/A	208V:	N/A
Base:	N/A	240V:	N/A
ANSI:	N/A	277V:	0.25A
Hours:	12,000	Input Watts:	36W
Lamp Lumens:	4,800		
Efficacy:	133 LPW		

Technical Specifications

Electrical

Emergency Battery Backup:

Bodine "Coldpak" will operate the CFL lamp for 90 minutes if power fails. Rated -20°C to 55°C. Battery is a maintenance free NiCad with 7 - 10 year life. Wired for 277V.

Listings

UL Listing:

Suitable for wet locations. Fixtures can be wired with 90°C supply wiring if supply wires are routed 3" away from ballast.

Optical

Refractor:

Injection molded polycarbonate, designed for maximum structural strength.

Other

Patents:

Pat. D547,484.

Country of Origin:

Designed by RAB in New Jersey and assembled in the USA by RAB's IBEW Local 3 workers.

Buy American Act Compliant:

This product is a COTS item manufactured in the United States, and is compliant with the Buy American Act.

Recovery Act (ARRA) Compliant:

This product complies with the 52.225-21 "Required Use of American Iron, Steel, and Manufactured Goods-- Buy American Act-- Construction Materials (October 2010).

Trade Agreements Act Compliant:

This product is a COTS item manufactured in the United States, and is compliant with the Trade Agreements Act.

GSA Schedule:

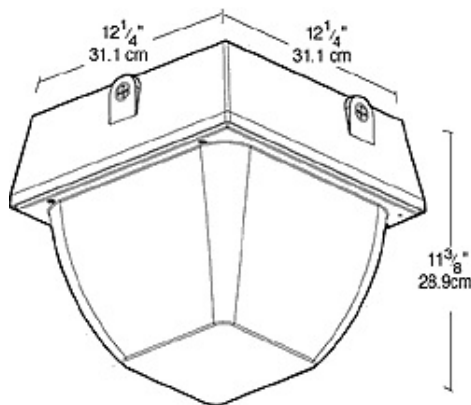
Suitable in accordance with FAR Subpart 25.4.

Construction

Ballast Minimum Starting Temperature:

0°F .

Dimensions



Features

- Vertical lamp for better light disbursement and heat dissipation
- Tough polycarbonate refractors and Die cast aluminum housings
- Both Vandal proof Center Pin Torx and slotted Phillips head screws supplied