

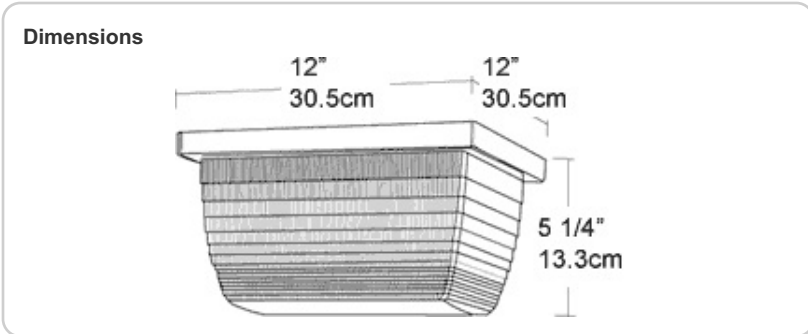


Project:	Type:
Prepared By:	Date:

Lamp Info		Ballast Info	
Type:	2-26W Triple	Type:	Elec HPF QT
Watts:	52W	120V:	N/A
Shape/Size:	N/A	208V:	N/A
Base:	N/A	240V:	N/A
ANSI:	N/A	277V:	0.21A
Hours:	12,000	Input Watts:	0W
Lamp Lumens:	3,600		
Efficacy:	N/A		

Technical Specifications

<p>Listings</p> <p>UL Listing: Suitable for wet locations. Fixtures can be wired with 90°C supply wiring if supply wires are routed 3" away from ballast.</p> <p>Electrical</p> <p>Sockets: Plug-in type, thermoplastic.</p> <p>Photocell: See product number VAN4F52QT/PC.</p> <p>Quad Tap: Fixture works with 120, 208, 240 and 277 Volts.</p> <p>Optical</p> <p>Reflector: Injection molded polycarbonate, designed for maximum structural strength.</p>	<p>Construction</p> <p>Screws: Tamperproof center pin Torx-head and slotted Phillips head stainless steel screws provided. Be sure to order your Torx screwdriver (Catalog # VANDRIVER).</p> <p>Reflectors / Backplate: Heavy gauge cold rolled steel with high reflectance baked white enamel.</p> <p>Ballast Minimum Starting Temperature: 0°F.</p> <p>Other</p> <p>Country of Origin: Designed by RAB in New Jersey and assembled in the USA by RAB's IBEW Local 3 workers.</p> <p>Buy American Act Compliant: This product is a COTS item manufactured in the United States, and is compliant with the Buy American Act.</p>	<p>Recovery Act (ARRA) Compliant: This product complies with the 52.225-21 "Required Use of American Iron, Steel, and Manufactured Goods-- Buy American Act-- Construction Materials (October 2010).</p> <p>Trade Agreements Act Compliant: This product is a COTS item manufactured in the United States, and is compliant with the Trade Agreements Act.</p> <p>GSA Schedule: Suitable in accordance with FAR Subpart 25.4.</p>
---	---	--



- ### Features
- Backboxes available for conduit entry
 - Both Vandal proof Center Pin Torx and slotted Phillips head screws supplied
 - Tough polycarbonate refractor