



Medium size ceiling mount fixture: 26, 32 and 42 Watt compact fluorescent available. Housing is die cast aluminum with clear vandalproof polycarbonate refractor. Photocontrol, Sensor (CFL 120v only) models available. Lamp supplied.

Color: N/A

Weight: 6.5 lbs

|                     |              |
|---------------------|--------------|
| <b>Project:</b>     | <b>Type:</b> |
| <b>Prepared By:</b> | <b>Date:</b> |

| Lamp Info    |            | Ballast Info |             |
|--------------|------------|--------------|-------------|
| Type:        | 26W Triple | Type:        | Elec HPF QT |
| Watts:       | 26W        | 120V:        | 0.24A       |
| Shape/Size:  | N/A        | 208V:        | N/A         |
| Base:        | N/A        | 240V:        | N/A         |
| ANSI:        | N/A        | 277V:        | N/A         |
| Hours:       | 12,000     | Input Watts: | 29W         |
| Lamp Lumens: | 1,800      | Efficiency:  | 90%         |
| Efficacy:    | 62 LPW     |              |             |

## Technical Specifications

### Listings

#### UL Listing:

Suitable for wet locations. Fixtures can be wired with 90°C supply wiring if supply wires are routed 3" away from ballast.

### Electrical

#### Sockets:

Medium base 4kv Pulse Rated Glazed porcelain.

#### HID Quartz restrike:

Add suffix "/QR" to Van3 (50w restrike) or Van5 (100w restrike) for HOT restrike. Provides immediate illumination in case of momentary power failure.

#### Quad Tap:

Fixture works with 120, 208, 240, and 277 volts.

#### Photocell:

Swivel Photocell 120V included. Photocell is only compatible with 120V.

### Optical

#### Refractor:

Injection molded polycarbonate, designed for maximum structural strength.

### Construction

#### Housings:

Die cast aluminum with powder coat bronze or white finish.

#### Screws:

Tamperproof center pin Torx-head and slotted Phillips head stainless steel screws provided. Be sure to order your Torx screwdriver (Catalog # VANDRIVER).

#### Reflectors / Backplate:

Heavy gauge cold rolled steel with high reflectance baked white enamel.

#### Conduit Entry:

1/2".

#### Ballast Minimum Starting Temperature:

0°F.

### Other

#### Country of Origin:

Designed by RAB in New Jersey and assembled in the USA by RAB's IBEW Local 3 workers.

### Buy American Act Compliant:

This product is a COTS item manufactured in the United States, and is compliant with the Buy American Act.

### Recovery Act (ARRA) Compliant:

This product complies with the 52.225-21 "Required Use of American Iron, Steel, and Manufactured Goods-- Buy American Act-- Construction Materials (October 2010).

### Trade Agreements Act Compliant:

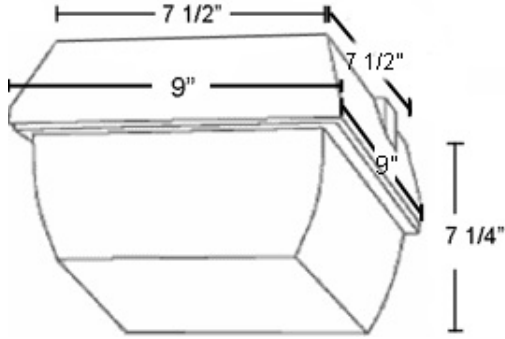
This product is a COTS item manufactured in the United States, and is compliant with the Trade Agreements Act.

### GSA Schedule:

Suitable in accordance with FAR Subpart 25.4.

# VAN3F26QT/PCS

## Dimensions



## Features

- Both Vandal proof Center Pin Torx and slotted Phillips head screws supplied
- Tough polycarbonate refractors
- Die cast aluminum housing
- Quartz Restrike available, consult factory