



11" or 15" round fixture. 52 & 64 Watt Fluorescent lamp (supplied), or 75 or 150 Watt incandescent lamp (not supplied). Backplate is die formed heavy gauge steel in white finish with clear vandalproof polycarbonate refractor.

Color: N/A

Weight: 7.1 lbs

Project:

Type:

Prepared By:

Date:

Lamp Info

Type: 2-26W Triple
 Watts: 52W
 Shape/Size: N/A
 Base: N/A
 ANSI: N/A
 Hours: 12,000
 Lamp Lumens: 3,600
 Efficacy: N/A

Ballast Info

Type: Elec HPF QT
 120V: 0.46A
 208V: N/A
 240V: N/A
 277V: N/A
 Input Watts: 0W

Technical Specifications

Listings

UL Listing:

Suitable for wet locations. Fixtures can be wired with 90°C supply wiring if supply wires are routed 3" away from ballast.

Electrical

Photocell:

120V Photocell Included. Photocell is only compatible with 120V.

Sockets:

HPS & MH Medium base 4kv Pulse Rated Glazed porcelain CFL Plug-in type, thermoplastic.

HID Quartz restrike:

Add suffix "/QR" to Van3 (50w restrike) or Van5 (100w restrike) for HOT restrike. Provides immediate illumination in case of momentary power failure.

Photocell:

Button Photocell requires mounting back box. Product number VAN15BB.

Quad Tap:

Fixture works with 120, 208, 240 and 277 Volts.

Optical

Refractor:

Injection molded polycarbonate, designed for maximum structural strength.

Construction

Screws:

Tamperproof center pin Torx-head and slotted Phillips head stainless steel screws provided. Be sure to order your Torx screwdriver (Catalog # VANDRIVER).

Reflectors / Backplate:

Heavy gauge cold rolled steel with high reflectance baked white enamel.

Fluorescent Ballast Starting Temperatures:

Electronic QT 0°F/-18°C NPF 120V 32°F / 0°C.

Ballast Minimum Starting Temperature:

0°F.

Other

Country of Origin:

Designed by RAB in New Jersey and assembled in the USA by RAB's IBEW Local 3 workers.

Buy American Act Compliant:

This product is a COTS item manufactured in the United States, and is compliant with the Buy American Act.

Recovery Act (ARRA) Compliant:

This product complies with the 52.225-21 "Required Use of American Iron, Steel, and Manufactured Goods-- Buy American Act-- Construction Materials (October 2010).

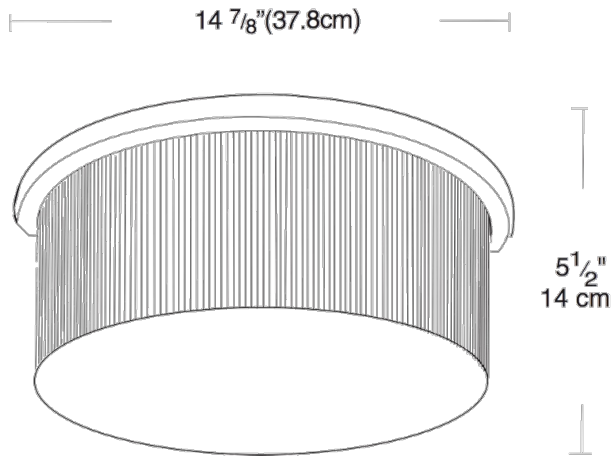
Trade Agreements Act Compliant:

This product is a COTS item manufactured in the United States, and is compliant with the Trade Agreements Act.

GSA Schedule:

Suitable in accordance with FAR Subpart 25.4.

Dimensions



Features

- Both Vandal proof Center Pin Torx and slotted Phillips head screws supplied
- Tough polycarbonate refractors
- Heavy gauge aluminum housing