

Project:	Type:
Prepared By:	Date:

Swivel mount for LED Wallpack
Color: Bronze

Weight: 0.8 lbs

Technical Specifications

Construction

Accessory Only:

LPACK LED fixture sold separately.

Arm:

Use to extend fixtures away from wall and to adjust the aiming angle of the light fixture. Great for facade and sign lighting.

Swivel Plate:

Die cast aluminum Swivel Plate adjusts 30 degrees in both directions and mounts to RAB's WPLED10, WPLED13, WPLED18, WPLED20 and WPLED26 fixtures.

Mounting:

Die cast aluminum. Swivel mounts to RAB's LPACK surface junction box (not included with Swivel30) and RAB's LPACK WPLED fixtures with hardware provided. .

Construction:

Die cast aluminum.

Other

Country of Origin:

Designed by RAB in New Jersey and assembled in Taiwan.

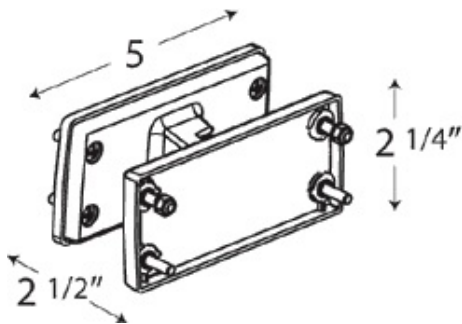
Trade Agreements Act Compliant:

This product is a product of Taiwan and a "designated country" end product that complies with the Trade Agreements Act.

GSA Schedule:

Suitable in accordance with FAR Subpart 25.4.

Dimensions



Features

LPACK LED fixture sold separately

Accessory for LED LPACK

Includes wires for easy connection to fixture wires and supply wires

Ordering Matrix

Family	Angle	Finish
SWIVEL	30 = 30°	Blank = Bronze W = White