



Project:	Type:
Prepared By:	Date:

Driver Info		LED Info	
Type	Constant Current	Watts	0W
120V	0.166A	Color Temp	4000K (Neutral)
208V	0.11A	Color Accuracy	90 CRI
240V	0.095A	L70 Lifespan	50,000 Hours
277V	0.08A	Lumens	1,677
Input Watts	20W	Efficacy	60

Technical Specifications		
<p>Compliance</p> <p>UL Listed: Suitable for wet locations</p> <p>Electrical</p> <p>Dimming Driver: TRIAC compatible dimmer with dimming as low as 5%. See dimmer compatibility guide here.</p> <p>Performance</p> <p>Lifespan: 50,000-Hour LED lifespan based on IES LM-80 results and TM-21 calculations</p> <p>Construction</p> <p>IC Rated: Suitable for direct contact with insulation</p> <p>Air Tight: Housing certified Air Tight as per ASTM E283</p>	<p>Housing: Durable aluminum</p> <p>Trim Style: Smooth Trim</p> <p>Beam Angle: 120°</p> <p>Cold Weather Starting: The minimum starting temperature is -30°C (-22°F)</p> <p>Maximum Ambient Temperature: Suitable for use in up to 40°C (104°F)</p>	<p>Lens: Transparent Polymethyl Methacrylate (PMMA)</p> <p>Finish: Formulated for high durability and long-lasting color</p> <p>Green Technology: Mercury and UV free. RoHS-compliant components.</p> <p>Socket Adapter: Edison 26 Medium Base Socket adapter included in box</p>

Technical Specifications (continued)

Construction

Mounting:

Jam clips included secure installation

LED Characteristics

LEDs:

Long-life, high-efficacy, surface-mount LEDs

Other

Warranty:

RAB warrants that our LED products will be free from defects in materials and workmanship for a period of five (5) years from the date of delivery to the end user, including coverage of light output, color stability, driver performance and fixture finish. RAB's warranty is subject to all terms and conditions found at rablighting.com/warranty.

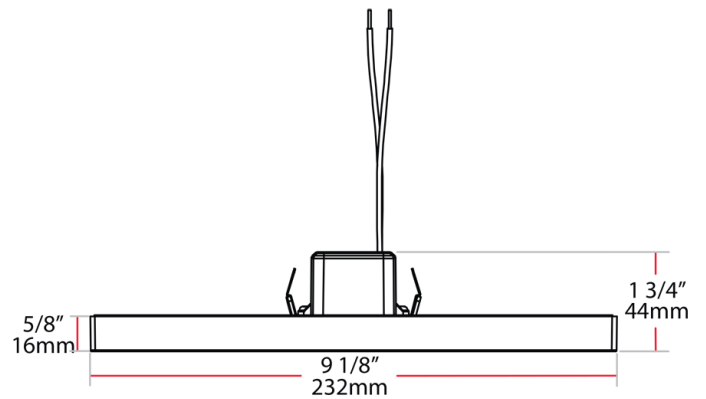
Buy American Act Compliance:

RAB values USA manufacturing! Upon request, RAB may be able to manufacture this product to be compliant with the Buy American Act (BAA). Please contact customer service to request a quote for the product to be made BAA compliant.

Case and Pallet Dimensions

	QTY	LENGTH (in)	WIDTH (in)	HEIGHT (in)
CASE	12	10.8	8.1	4.1
PALLET	2880	43.2	37.9	48.7

Dimension



Ordering Matrix

Family	Size	Shape	Wattage	CRI/Color Temp	Voltage	Dimming	Finish
SM	9	S	20	940	UNV	T	W
	5.5 = 5.5" 7 = 7" 9 = 9"	R = Round S = Square	10 = 750lm-850lm 15 = 900lm-1100lm 20 = 1200lm-1700lm	940 = 90 CRI, 4000K (Neutral) 930 = 90 CRI, 3000K (Warm) 927 = 90 CRI, 2700K (Residential Warm) 840 = 80 CRI, 4000K (Neutral) 830 = 80 CRI, 3000K (Warm) 827 = 80 CRI, 2700K (Residential Warm)	120 = 120V UNV = 120-277V	Blank = Blank T = TRIAC Dimming	W = White