



Project:	Type:
Prepared By:	Date:

Driver Info		LED Info	
Type	Constant Current	Watts	15.00W
120V	0.125A	Color Temp	4000K (Neutral)
208V	0.08A	Color Accuracy	90 CRI
240V	0.07A	L70 Lifespan	50,000
277V	0.06A	Lumens	900
Input Watts	15.00W	Efficacy	60 LPW
Efficiency	N/A		

Technical Specifications

Listings

UL Listed & UL Classified:

Suitable for wet locations

ENERGY STAR V2.2:

This product is ENERGY STAR® Version 2.2 Certified.

Energy Star Model Number:

DLS0042

California Title 24:

Can be used to conform with the requirements of California Title 24 Part 6.

Electrical

Dimming Driver:

TRIAC compatible dimmer with dimming as low as 5%. [See dimmer compatibility guide here.](#)

PF:

≥0.9

Input Voltage:

120V through 277V

Operating Frequency (Hz):

60Hz

LED Characteristics

Lifespan:

50,000-hour LED lifespan based on IES LM-80 results and TM-21 calculations

LEDs:

Long-life, high-efficacy, surface-mount LEDs

Wattage Equivalency:

75W Incandescent

R9 Value:

High color performance with R9 greater than or equal to 50

Flicker:

Silent and flicker free operations of less than 30%

Construction

IC Rated:

Suitable for direct contact with insulation

Air Tight:

Housing certified Air Tight as per ASTM E283

Housing:

Constructed from durable aluminum that provides thermal cooling. Housing frame built from non-electrically conductive polycarbonate.

Cold Weather Starting:

The minimum starting temperature is -30°C (-22°F)

Maximum Ambient Temperature:

Suitable for use in 40°C (104°F)

Lens:

Diffuse Polystyrene lens produces smooth uniform light that is glare free

Green Technology:

Mercury and UV free. RoHS-compliant components.

Technical Specifications (continued)

Construction

Mounting:

Torsion springs allow for secure installation. Retrofit mounting hardware sold separately.
 SM7UNV/ACCC - 7" 120-277V Surface Mount Retrofit Hardware.

Finish:

Matte White

Optical

Beam Angle:

120°

Other

Warranty:

RAB warrants that our LED products will be free from defects in materials and workmanship for a period of five (5) years from the date of delivery to the end user, including coverage of light output, color stability, driver performance and fixture finish. RAB's warranty is subject to all terms and conditions found at rablighting.com/warranty.

Buy American Act Compliance:

RAB values USA manufacturing! Upon request, RAB may be able to manufacture this product to be compliant with the Buy American Act (BAA). Please contact customer service to request a quote for the product to be made BAA compliant.

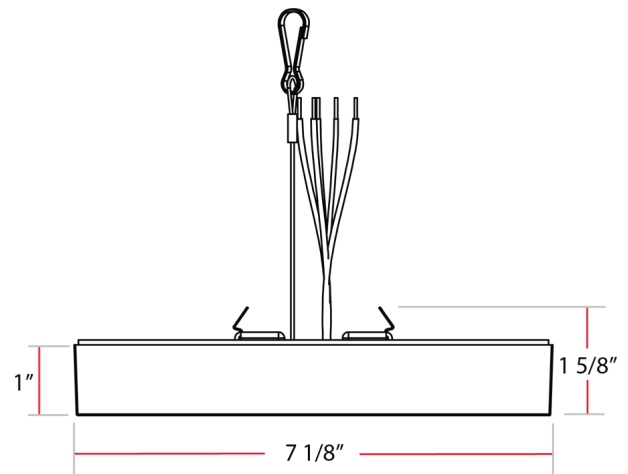
Minimum Compartment Size

Length x Width x Height [in]	Lamp Quantity
8.0 x 8.0 x 11.0	1

Case and Pallet Dimensions

	QTY	LENGTH	WIDTH	HEIGHT
CASE	6	15.28	8.15	8.7
PALLET	450	7.28	2.44	43.5

Dimension



Features

- Low profile driverless design
- Aluminum backplate with superior thermal management
- Edge-lit design provides smooth diffused light
- New construction or retrofit applications
- Suitable for wet locations
- Dimmable down to 5% on compatible dimmers
- TRIAC and 0-10V dimming models available
- 5-Year, No-Compromise Warranty

Ordering Matrix

Family	Size	Shape	Wattage	CRI/Color Temp	Voltage	Dimming	Finish
SM	7	S	15	940	UNV		W
	5.5 = 5.5" 7 = 7" 9 = 9"	R = Round S = Square	10 = 600lm 15 = 900lm 20 = 1200lm	940 = 90 CRI, 4000K (Neutral) 930 = 90 CRI, 3000K (Warm) 927 = 90 CRI, 2700K (Residential Warm) 840 = 80 CRI, 4000K (Neutral) 830 = 80 CRI, 3000K (Warm) 827 = 80 CRI, 2700K (Residential Warm)	120 = 120V UNV = 120-277V	Blank = Blank ¹ T = TRIAC Dimming	W = White

¹ If 120V is selected, 'blank' is TRIAC Dimming
If UNV is selected, 'blank' is 0-10V Dimming