



Square LED Step Lights. Equivalent to 13 Watt CFL or 40 Watt incandescent. Applications for steps, decks, landscape and entries. Meets ADA requirements. 5 Year warranty.

Color: Bronze

Weight: 1.5 lbs

Project:	Type:
Prepared By:	Date:

Driver Info		LED Info	
Type:	Constant Current	Watts:	5W
120V:	0.1A	Color Temp:	4000K
208V:	0.06A	Color Accuracy:	85 CRI
240V:	0.05A	L70 Lifespan:	100000
277V:	N/A	Lumens:	155
Input Watts:	5W	Efficacy:	30 LPW
Efficiency:	96%		

Technical Specifications

Listings

UL Listing:

Suitable for wet locations. Suitable for mounting within 4ft. of the ground.

IESNA LM-79 & IESNA LM-80 Testing:

RAB LED luminaires have been tested by an independent laboratory in accordance with IESNA LM-79 and 80, and have received the Department of Energy "Lighting Facts" label.

Dark Sky Approved:

The International Dark Sky Association has approved this product as a full cutoff, fully shielded luminaire.

LED Characteristics

Lifespan:

100,000-hour LED lifespan based on IES LM-80 results and TM-21 calculations.

Color Consistency:

3-step MacAdam Ellipse binning to achieve consistent fixture-to-fixture color.

Color Temperature (Nominal CCT):

4000K

Color Accuracy:

85 CRI

Electrical

Voltage:

100V - 240V.

Driver:

4W high output long life LED. Driver Constant Current, Class 2, 50-60 Hz, 100-240 VAC 0.18 amps.

Surge Protection:

1000 Volts.

Construction

Finish:

Our environmentally friendly polyester powder coatings are formulated for high-durability and long-lasting color, and contains no VOC or toxic heavy metals.

Thermal Management:

Integral cast aluminum mounting pad for optimum heat sinking to ensure cool operation with maximum LED life and light output.

Cold Weather Starting:

The minimum starting temperature is -40°C/-40°F

Maximum Ambient Temperature:

Suitable for use in 40°C (104°F) ambient temperatures

Green Technology:

Mercury and UV free. RoHS compliant components. Polyester powder coat finish formulated without the use of VOC or toxic heavy metals.

Housing:

Precision die cast aluminum housing and mounting plate (junction box not included).

Gasket:

High temperature silicone.

For use on LEED Buildings:

IDA Dark Sky Approval means that this fixture can be used to achieve LEED Credits for Light Pollution Reduction.

Optical

Lumen Maintenance:

The LED will deliver 70% of its initial lumens at 100,000 hours of operation.

Fixture Efficacy:

30 Lumens per Watt

BUG Rating:

B0 U1 G0

Other

Equivalency:

The SLED5 is Equivalent in delivered lumens to a 13W CFL or 60W incandescent step light.

HID Replacement Range:

The SLED5 can be used to replace 13-26W CFL or 13-60W incandescent step lights based on delivered lumens.

Patents:

The design of the SLED Lights are protected by U.S. Pat. 612,975, Canada Pat. 133101, and China Pat. ZL201030129140.1.

Country of Origin:

Designed by RAB in New Jersey and assembled in the USA by RAB's IBEW Local 3 workers.

Buy American Act Compliant:

This product is a COTS item manufactured in the United States, and is compliant with the Buy American Act.

Technical Specifications (continued)

Other

Recovery Act (ARRA) Compliant:

This product complies with the 52.225-21 "Required Use of American Iron, Steel, and Manufactured Goods-- Buy American Act-- Construction Materials (October 2010).

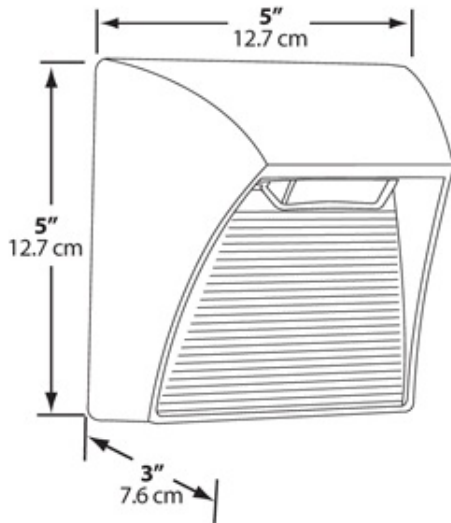
Trade Agreements Act Compliant:

This product is a COTS item manufactured in the United States, and is compliant with the Trade Agreements Act.

GSA Schedule:

Suitable in accordance with FAR Subpart 25.4.

Dimensions



Features

- 5 Watt, High output LED
- 100,000 hour life
- Superior heat sinking with die cast aluminum housing
- Meets ADA Requirements
- Junction Box Not Included