

Technical Specifications (continued)

Other

Trade Agreements Act Compliant:

This product is a COTS item manufactured in the United States, and is compliant with the Trade Agreements Act.

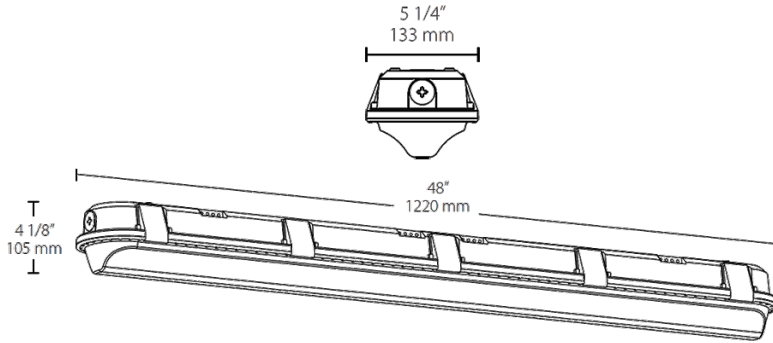
GSA Schedule:

Suitable in accordance with FAR Subpart 25.4.

American Bureau of Shipping (ABS) :

For use on Mobile Offshore Drilling Units (MODU) and shipping vessels.

Dimensions



Features

Impact-resistant linear washdown

Ideal for car washes, tunnels and stairwells

Mounting options: Chain, junction box, angled surface mount or vandal-resistant surface mount

IP66 Rating protects against dust & water ingress

0-10V dimming

5-Year, no compromise warranty

100,000-Hour LED lifespan

Ordering Matrix

Family	Length	Watts	Color Temp	Finish	Dimming	Voltage
SHARK	4	50		W	/D10	
	4 = 4 ft	36 = 36W 50 = 50W	Blank = 5000K (Cool) Y = 3000K (Warm) YN = 3500K (Warm Neutral) N = 4000K (Neutral)	W = White	D10 = Dimmable	Blank = 120-277V /480 = 480V