



The four-foot SHARK is available in 36W and 50W versions. This impact-resistant linear LED washdown fixture is ideal for tunnels, stairwells and other hard-to-reach areas where relamping is difficult and costly. 0-10V dimming models available.

Color: White

Weight: 16.6 lbs

<b>Project:</b>	<b>Type:</b>
<b>Prepared By:</b>	<b>Date:</b>

Driver Info		LED Info	
Type	Constant Current	Watts	36W
120V	0.31A	Color Temp	3500K (Warm Neutral)
208V	0.18A	Color Accuracy	73 CRI
240V	0.16A	L70 Lifespan	100,000
277V	0.14A	Lumens	4,234
Input Watts	36.1W	Efficacy	117.3 LPW
Efficiency	N/A		

## Technical Specifications

### Lightcloud

#### Lightcloud Controller Installed:

Fixture, Zone, and plug-load control from one powerful device. Capable of switching, 0-10V dimming, power monitoring. Can also be used to extend the range of the Lightcloud mesh network. Attach to fixture, junction box, or electrical panel. [Learn more about Lightcloud.](#)

### Listings

#### UL Listing:

Suitable for wet locations

#### NSF:

NSF Certified by Public Health and Safety

#### NEMA Rating:

4X, protected against corrosion

#### IESNA LM-79 & LM-80 Testing:

RAB LED luminaires and LED components have been tested by an independent laboratory in accordance with IESNA LM-79 and LM-80.

#### DLC Listed:

This product is on the Design Lights Consortium (DLC) Qualified Products List and is eligible for rebates from DLC Member Utilities. DLC Product Code: PWB51E9U

### Construction

#### IP Rating:

Ingress Protection rating of IP66 for dust and water

#### Reflector/Tray:

Aluminum

#### Housing:

5VA impact-resistant polycarbonate. 1/2" openings for conduit and bushing/cord entry. Polycarbonate is affected by cleaning agents or other liquids containing partial solvents such as low molecular weight aldehydes and ethers, ketones, esters, aromatic hydrocarbons and perchlorinated hydrocarbons. [Click here for a detailed list of damaging chemicals.](#)

#### Mounting:

Quick-mount, surface, stainless steel spring clips supplied. 4 additional mounting accessory kits available.

#### Lens:

Diffuse polycarbonate lens for low glare and maximum protection

#### Gaskets:

EVA silicone foam

#### Maximum Ambient Temperature:

Suitable for use in 40°C (104°F)

#### Cold Weather Starting:

Minimum starting temperature is -40°C (-40°F)

#### Green Technology:

Mercury and UV free. RoHS-compliant components.

#### Finish:

Formulated for high durability and long-lasting color

### LED Characteristics

#### LEDs:

Long-life, high-efficacy surface mount LEDs

#### Lifespan:

100,000-hour LED lifespan based on IES LM-80 results and TM-21 calculations

#### Color Stability:

LED color temperature is warrantied to shift no more than 200K in CCT over a 5-year period

## Technical Specifications (continued)

### LED Characteristics

#### Color Uniformity:

RAB's range of CCT (Correlated Color Temperature) follows the guidelines of the American National Standard for Specifications for the Chromaticity of Solid State Lighting (SSL) Products, ANSI C78.377-2017.

### Electrical

#### Dimming Driver:

Driver includes dimming control wiring for 0-10V dimming systems. Requires separate 0-10V DC dimming circuit. Dims as low as 10%.

#### Driver:

Class 2 Constant Current, 4kV, 100-277VAC, 50-60Hz

#### Other

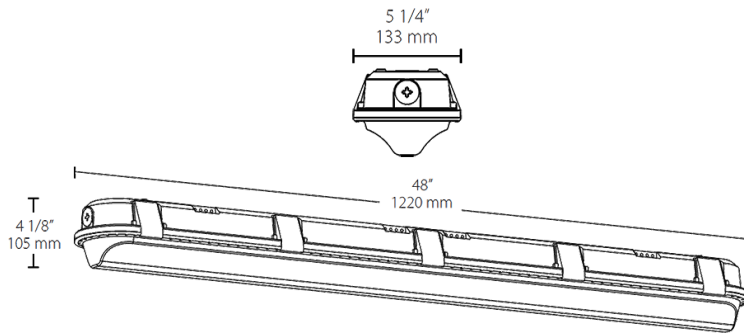
#### Warranty:

RAB warrants that our LED products will be free from defects in materials and workmanship for a period of five (5) years from the date of delivery to the end user, including coverage of light output, color stability, driver performance and fixture finish. RAB's warranty is subject to all terms and conditions found at [rablighting.com/warranty](http://rablighting.com/warranty).

#### Buy American Act Compliance:

RAB values USA manufacturing! Upon request, RAB may be able to manufacture this product to be compliant with the Buy American Act (BAA). Please contact customer service to request a quote for the product to be made BAA compliant.

## Dimensions



## Features

Impact-resistant linear washdown

Ideal for tunnels and stairwells

Mounting options: Chain, junction box, angled surface mount or vandal-resistant surface mount

IP66 Rating protects against dust & water ingress

5-Year, No-Compromise Warranty and 10-Year, No-Compromise Lightcloud Warranty

100,000-Hour LED lifespan

## Ordering Matrix

Family	Length	UL Listing	Wattage	Color Temp	Finish	Driver Options	Options
SHARK	4	—	36	YN	W	/D10	/LC
	2 = 2 ft. 4 = 4 ft. 8 = 8 ft	Blank = Standard M = Marine Listed	18 = 18W (2 ft.) 25 = 25W (2 ft.) 36 = 36W (4 ft.) 50 = 50W (4 ft.) 70 = 70W (8 ft.) 100 = 100W (8 ft.)	Blank = 5000K (Cool) N = 4000K (Neutral) YN = 3500K (Warm Neutral) Y = 3000K (Warm)	W = White	/D10 = 0-10V Dimming, 120-277V /480 = On/Off, 480V /480/D10 = 0-10V Dimming, 480V	Blank = No Option /E2 = Emergency Battery Backup /LC = Lightcloud® Controller, 120-277V /BL = Bi-Level Dimming, 120-277V /MVS = Microwave Motion Sensor, 120-277V