



Pole adaptors for ALED Area Lights

Color: Bronze

Weight: 0.5 lbs

| | |
|--------------|-------|
| Project: | Type: |
| Prepared By: | Date: |

Technical Specifications

Other

Description:

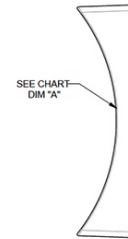
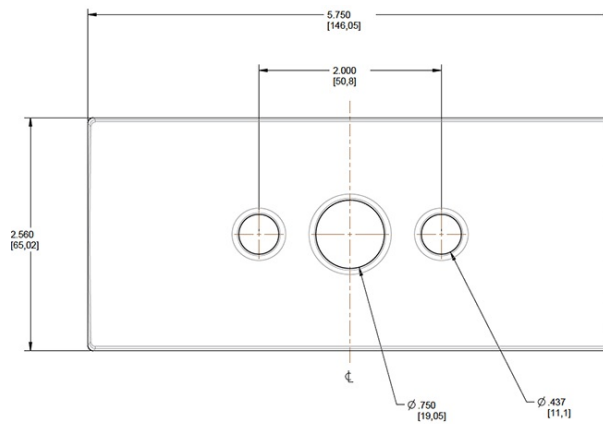
Round pole adaptor 5"

Construction

Compatibility:

AL, ALX, AJ, ALED52, ALED78, ALED104, ALED105, ALED125 and ALED150.

Dimensions



| POLE DIA | DIM *A* |
|----------|---------|
| 3.0" | R 1.50" |
| 3.5" | R 1.75" |
| 4" | R 2.0" |
| 5" | R 2.5" |
| 6" | R 3.0" |

Ordering Matrix

| Family | Size | Compatibility | Finish |
|--------|---|---|-----------------------------|
| RPA | 3 = 3" 35 = 3.5" 4 = 4" 5 = 5" | Blank = ALED52/78/104, AL, ALX, AJ L = ALED10/13/20/26 | Blank = Bronze W = White |