



LED High Bay fixture ideal for large indoor spaces, including warehouses, gymnasiums and distribution centers with high ceiling that require mounting heights of 50-60 feet. Replaces up to 1000W MH fixtures.

Color: White

Weight: 42.4 lbs

Project:	Type:
Prepared By:	Date:

Driver Info		LED Info	
Type:	Constant Current	Watts:	400W
120V:	N/A	Color Temp:	4000K
208V:	N/A	Color Accuracy:	78 CRI
240V:	N/A	L70 Lifespan:	100000
277V:	N/A	Lumens:	52191
Input Watts:	398W	Efficacy:	131 LPW
Efficiency:	N/A		

Technical Specifications

Listings

UL Listing:

Suitable for damp locations

DLC Listed:

This product is listed by Design Lights Consortium (DLC) as an ultra-efficient premium product that qualifies for the highest tier of rebates from DLC Member Utilities.

DLC Product Code: P7DQXRAY

IESNA LM-79 & LM-80 Testing:

RAB LED luminaires have been tested by an independent laboratory in accordance with IESNA LM-79 and LM-80, and have received the Department of Energy "Lighting Facts" label.

LED Characteristics

Lifespan:

100,000-hour LED lifespan based on IES LM-80 results and TM-21 calculations.

LEDs:

Long-life, high-efficiency surface mounting LEDs

Color Stability:

LED Color temperature is warrantied to shift no more than 200K in CCT over a 5 year period.

Color Uniformity:

RAB's range of CCT (Correlated Color Temperature) follows the guidelines of the American National Standard for Specifications for the Chromaticity of Solid State Lighting (SSL) Products, ANSI C78.377-2015.

Replacement:

Replaces 400-1000W MH

Electrical

Driver:

Constant Current, Class 2, 480V, 50/60Hz, 480V: 0.86A

Dimming Driver:

Driver includes dimming control wiring for 0-10V dimming systems. Requires separate 0-10V DC dimming circuit. Dims as low as 10%.

THD:

12.4% at 480V

Power Factor:

96.4% at 480V

Surge Protection:

4kV

Construction

Ambient Temperature:

Suitable for use 12 hours a day, 6 days a week in 55°C (131°F). Suitable for 24/7 use in ambient temperatures up to 45°C (113°F).

Housing:

Extruded aluminum

Lens:

High-transmittance polystyrene

Reflector:

Specular, high-reflectance aluminum with 95% reflectivity

Mounting:

V hooks (chain by others)

Finish:

Formulated for high-durability and long lasting color.

Green Technology:

Mercury and UV free. RoHS compliant components. Polyester powder coat finish formulated without the use of VOC or toxic heavy metals.

Other

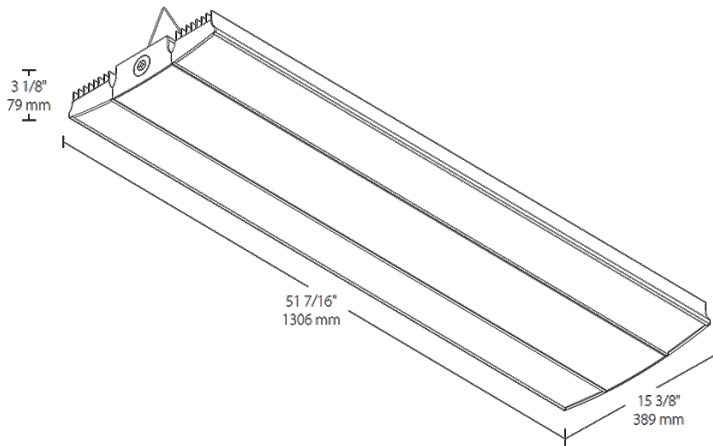
Warranty:

RAB warrants that our LED products will be free from defects in materials and workmanship for a period of five (5) years from the date of delivery to the end user, including coverage of light output, color stability, driver performance and fixture finish.

Buy American Act Compliance:

RAB values USA manufacturing! Upon request, RAB may be able to manufacture this product to be compliant with the Buy American Act (BAA). Please contact customer service to request a quote for the product to be made BAA compliant.

Dimensions



Features

- Ideal for large spaces
- Up to 63% less energy usage than equivalent 1000W MH fixture
- 100,000 hour lifespan - virtually maintenance free operation
- 0-10V driver for variable dimming down to 10%
- Low-glare design with semi-diffuse lens

Ordering Matrix

Family	Wattage	Color Temp	Finish	Driver Options	Control Options
RAIL	400	N	W	/480/D10	
	400 = 400W	Blank = 5000K (Cool) N = 4000K (Neutral) YN = 3500K (Warm Neutral)	W = White	/D10 = 120-277V with 0-10V Dimming /480/D10 = 480V with 0-10V Dimming	Blank = No Option /BL = Bi-Level Control (120-277V only) /WS2 = Multi-Level Motion Sensor 20 ft (120-277V only)* /WS4 = Multi-Level Motion Sensor 40 ft (120-277V only)* /E2 = Emergency Battery Backup (120-277V only) /LOS = LOSBAY 800 Sensor (120-277V only)* /LC = Lightcloud® Controller (120-277V only) /LCS = Lightcloud® High Bay Sensor (120-277V only)*